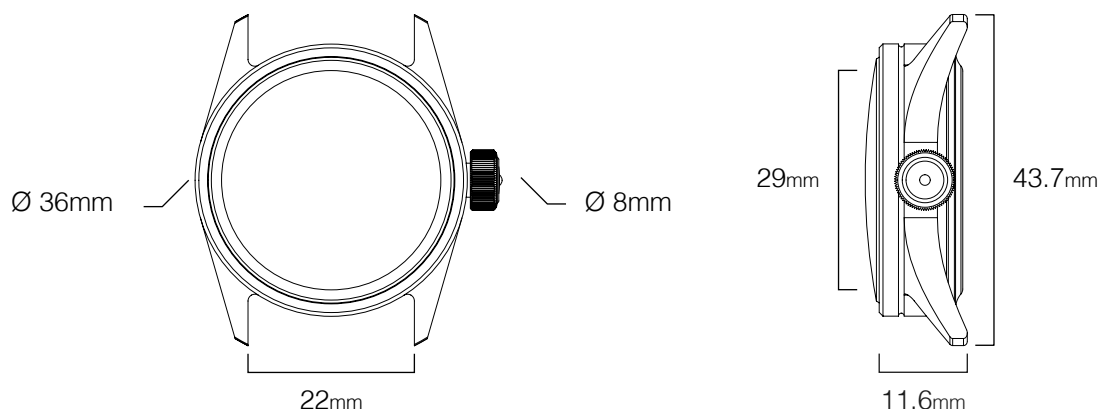


MODELLO  
CINQUE  
Ref. UT5-IPT

*Made in Italy*  
*2 years warranty*  
*Edition of 99*

UNIMATIC



REFERENCE	Modello Uno UT5-IPT
TYPE	All-round Toolwatch
ORIGIN	Made in Italy
TESTING	MIL-STD-810H, singularly tested for accuracy and water resistance
WATER RESISTANCE	300m $\approx$ 1000ft $\approx$ 30atm
EDITION	Individually numbered, edition of 99
CASE DIMENSIONS	Diameter 36mm, height lug-to-lug 43.7mm, case opening 29mm
WEIGHT	51g/ 71g with the strap
CASE THICKNESS	11.6mm without the lens/ 13.5mm with the lens
LUGS/ STRAP SIZE	22mm
CASE MATERIAL	316L stainless steel
CASE FINISHING	Sandblasted finish
BEZEL	Fixed monoblock bezel
CASEBACK	Swimming pool caseback
CROWN	Alchemical Sun $\odot$ 8mm screw-down
LENS DESCRIPTION	2.2mm thick flat sapphire
LENS TREATMENT	Inner side anti-reflective coating
DIAL BASE	Acqua laguna dial with hand-applied 3D markers
LUMINOUS COLOR	Super-LumiNova <sup>®</sup> C1 on the hands, UNILIGHT C1 on the markers
DIAL TRIMS	Deep blue open second rail and dial trims
HANDS	Matte dark navy ladder phantom H+M, reverse lollipop S, Super-LumiNova <sup>®</sup> C1 tip
CALIBER	Quartz Seiko VH31A
CALIBER FEATURES	Sweeping second hand
CALIBER JEWELS	2
MOVEMENT HOLDER	360 protection system
BATTERY TYPE	Seizaiken SR920SW battery
ACCURACY	$\pm$ 15s/ month
POWER RESERVE	$\approx$ 2y
STRAP	Deep blue tapered TPU two-piece quick-release strap
STRAP HARDWARE	Sandblasted hardware signed UNIMATIC
PRODUCT KIT	UNIMATIC travel pouch, warranty card with unique ID seal