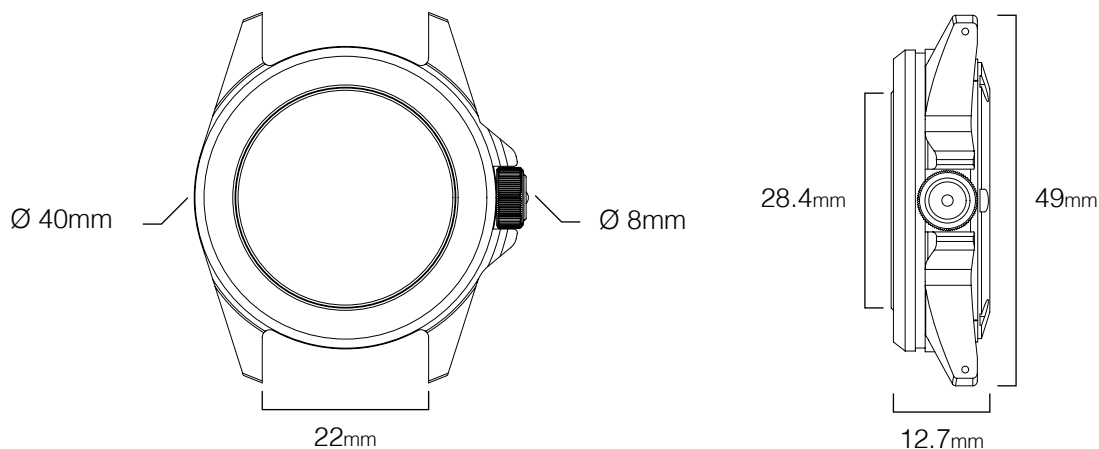


**MODELLO  
QUATTRO GMT TOOLWATCH**

Ref. UT4-GMT-UBR

*Made in Italy  
2 years warranty*

**UNIMATIC**



REFERENCE	UNIMATIC Modello Quattro Toolwatch
TYPE	GMT military toolwatch
ORIGIN	Made in Italy
TESTING	MIL-STD-810H, singularly tested for accuracy and water resistance
WATER RESISTANCE	300m ≈ 1000ft ≈ 30atm
CASE DIMENSIONS	Diameter 40mm, height lug-to-lug 49mm, case opening 28.4mm
WEIGHT	82g/ 97g with the strap
CASE THICKNESS	12.7mm without the lens/ 13mm with the lens
LUGS/ STRAP SIZE	Drilled lugs/ 22mm
CASE MATERIAL	316L stainless steel
CASE FINISHING	Sandblasted finish
BEZEL	Fixed monoblock bezel
CASEBACK	UNIMATIC 360° X-ray caseback
CROWN	Alchemical Sun ⌀ 8mm screw-down
LENS DESCRIPTION	2.8mm thick flat sapphire
LENS TREATMENT	Inner side anti-reflective coating
DIAL BASE	Matte black dial with printed arabic numerals and GMT window
LUMINOUS COLOR	Super-LumiNova® C1
DIAL TRIMS	White open second rail and international orange dial trims
HANDS	Matte black ladder phantom H+M, reverse lollipop S, international orange tip
DATE	Window H6
CALIBER	Quartz Swiss Made Ronda 515.24D
CALIBER FEATURES	GMT function, hacking second hand
CALIBER JEWELS	1
MOVEMENT HOLDER	360 protection system
BATTERY TYPE	Seizaiken SR920SW battery
ACCURACY	-1/+20s/month
POWER RESERVE	≈ 45 months
STRAP	Black nylon keeper two-piece quick-release strap
STRAP HARDWARE	Sandblasted hardware signed UNIMATIC
BRACELET	Sandblasted stainless steel bracelet
PRODUCT KIT	UNIMATIC tough case, warranty card with unique ID seal