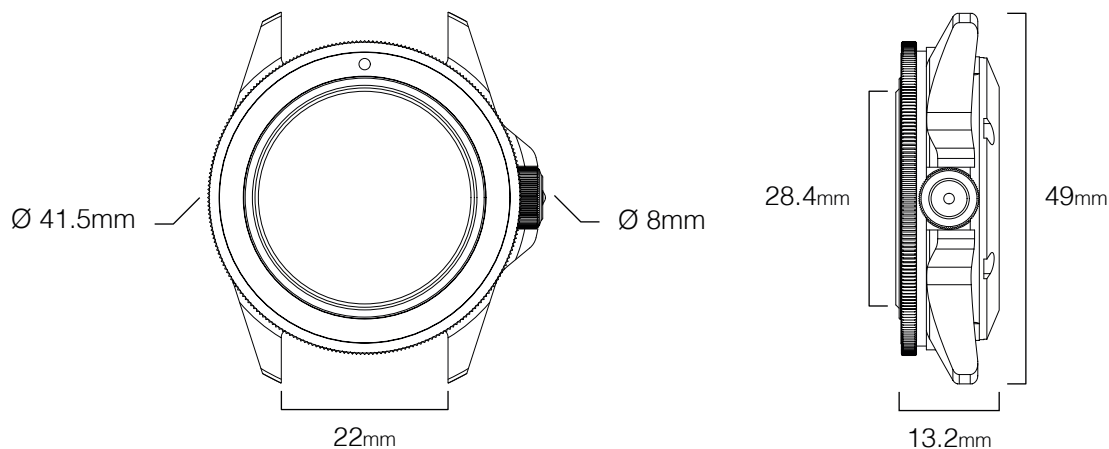


**MODELLO  
UNO TOOLWATCH**

Ref. UT1-UBR

*Made in Italy  
2 years warranty*

**UNIMATIC**



REFERENCE	UNIMATIC Modello Uno Toolwatch
TYPE	Dive toolwatch
ORIGIN	Made in Italy
TESTING	MIL-STD-810H, singularly tested for accuracy and water resistance
WATER RESISTANCE	300m $\approx$ 1000ft $\approx$ 30atm
CASE DIMENSIONS	Diameter 40mm/ 41.5mm with the bezel, height lug-to-lug 49mm, case opening 28.4mm
WEIGHT	80g/ 95g with the strap
CASE THICKNESS	13.2mm without the lens/ 13.6mm with the lens
LUGS/ STRAP SIZE	22mm
CASE MATERIAL	316L stainless steel
CASE FINISHING	Sandblasted finish
BEZEL	120 clicks mono-directional safety bezel
BEZEL INSERT	Matte black countdown
CASEBACK	UNIMATIC 360° X-ray caseback
CROWN	Alchemical Sun $\odot$ 8mm screw-down
LENS DESCRIPTION	2.5mm thick flat sapphire
LENS TREATMENT	Inner side anti-reflective coating
DIAL BASE	Matte black dial with printed arabic numerals
LUMINOUS COLOR	Super-LumiNova® C1
DIAL TRIMS	White open second rail and international orange dial trims
HANDS	Matte black ladder phantom H+M, reverse lollipop S, international orange tip
CALIBER	Quartz Seiko VH31A
CALIBER FEATURES	Sweeping second hand
CALIBER JEWELS	2
MOVEMENT HOLDER	360 protection system
BATTERY TYPE	Seizaiken SR920SW battery
ACCURACY	$\pm$ 15s/ month
POWER RESERVE	$\approx$ 2y
STRAP	Black nylon keeper two-piece quick-release strap
STRAP HARDWARE	Sandblasted hardware signed UNIMATIC
BRACELET	Sandblasted stainless steel bracelet
PRODUCT KIT	UNIMATIC tough case, warranty card with unique ID seal