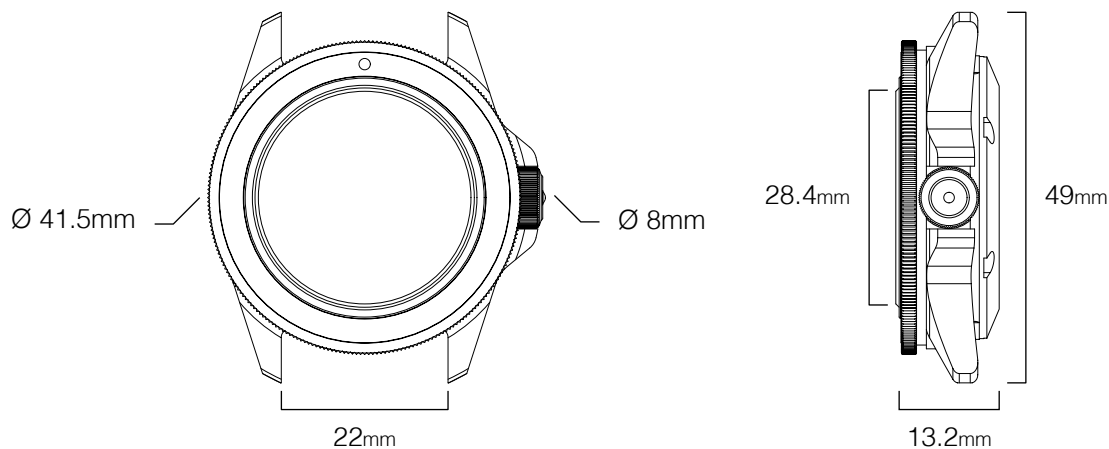


MODELLO
UNO
Ref. UT1-IPT

*Made in Italy
2 years warranty
Edition of 99*

UNIMATIC



REFERENCE	Modello Uno UT1-IPT
TYPE	Dive Toolwatch
ORIGIN	Made in Italy
TESTING	MIL-STD-810H, singularly tested for accuracy and water resistance
WATER RESISTANCE	300m \approx 1000ft \approx 30atm
EDITION	Individually numbered, edition of 99
CASE DIMENSIONS	Diameter 40mm/ 41.5mm with the bezel, height lug-to-lug 49mm, case opening 28.4mm
WEIGHT	81g/ 101g with the strap
CASE THICKNESS	13.2mm without the lens/ 13.6mm with the lens
LUGS/ STRAP SIZE	22mm
CASE MATERIAL	316L stainless steel
CASE FINISHING	Sandblasted finish
BEZEL	120 clicks mono-directional safety bezel
BEZEL INSERT	Matte deep blue countdown
CASEBACK	Swimming pool caseback
CROWN	Alchemical Sun \odot 8mm screw-down
LENS DESCRIPTION	2.5mm thick flat sapphire
LENS TREATMENT	Inner side anti-reflective coating
DIAL BASE	Acqua laguna dial with hand-applied 3D markers
LUMINOUS COLOR	Super-LumiNova [®] C1 on the hands, UNILIGHT C1 on the markers
DIAL TRIMS	Deep blue open second rail and dial trims
HANDS	Matte dark navy ladder phantom H+M, reverse lollipop S, Super-LumiNova [®] C1 tip
CALIBER	Quartz Seiko VH31A
CALIBER FEATURES	Sweeping second hand
CALIBER JEWELS	2
MOVEMENT HOLDER	360 protection system
BATTERY TYPE	Seizaiken SR920SW battery
ACCURACY	\pm 15s/ month
POWER RESERVE	\approx 2y
STRAP	Deep blue TPU two-piece quick-release strap
STRAP HARDWARE	Sandblasted hardware signed UNIMATIC
PRODUCT KIT	UNIMATIC travel pouch, warranty card with unique ID seal