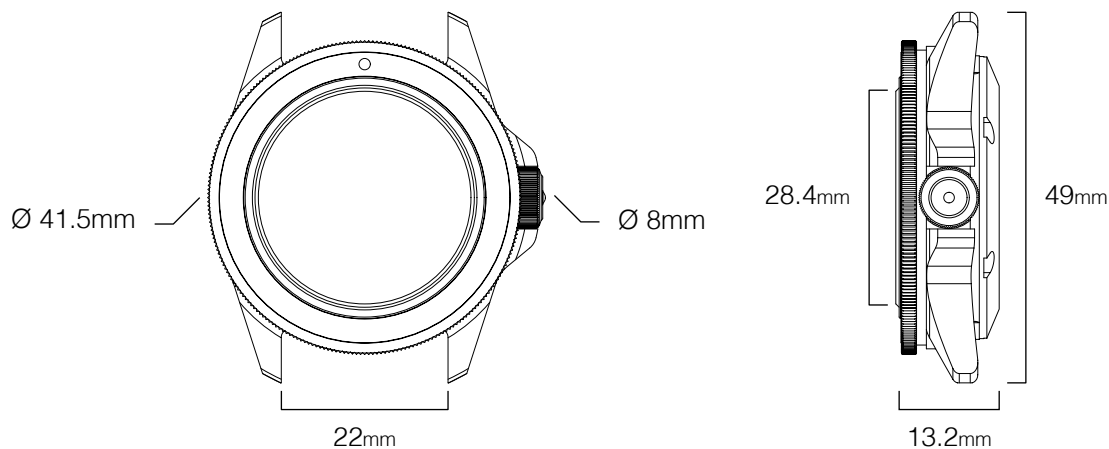


MODELLO  
UNO  
Ref. UT1-IPN

*Made in Italy  
2 years warranty  
Edition of 99*

UNIMATIC



|                  |  |
|------------------|--|
| REFERENCE        | Modello Uno UT1-IPN  |
| TYPE             | Dive Toolwatch   |
| ORIGIN           | Made in Italy  |
| TESTING          | MIL-STD-810H, singularly tested for accuracy and water resistance                          |
| WATER RESISTANCE | 300m $\approx$ 1000ft $\approx$ 30atm  |
| EDITION          | Individually numbered, edition of 99   |
| CASE DIMENSIONS  | Diameter 40mm/ 41.5mm with the bezel, height lug-to-lug 49mm, case opening 28.4mm          |
| WEIGHT           | 81g/ 101g with the strap   |
| CASE THICKNESS   | 13.2mm without the lens/ 13.6mm with the lens  |
| LUGS/ STRAP SIZE | 22mm   |
| CASE MATERIAL    | 316L stainless steel   |
| CASE FINISHING   | Sandblasted finish   |
| BEZEL            | 120 clicks mono-directional safety bezel   |
| BEZEL INSERT     | Matte deep blue countdown  |
| CASEBACK         | Swimming pool caseback   |
| CROWN            | Alchemical Sun $\odot$ 8mm screw-down  |
| LENS DESCRIPTION | 2.5mm thick flat sapphire  |
| LENS TREATMENT   | Inner side anti-reflective coating   |
| DIAL BASE        | Crystal blue dial with hand-applied 3D markers   |
| LUMINOUS COLOR   | Super-LumiNova <sup>®</sup> C1 on the hands, UNILIGHT C1 on the markers                    |
| DIAL TRIMS       | Deep blue open second rail and dial trims  |
| HANDS            | Matte dark navy ladder phantom H+M, reverse lollipop S, Super-LumiNova <sup>®</sup> C1 tip |
| CALIBER          | Quartz Seiko VH31A   |
| CALIBER FEATURES | Sweeping second hand   |
| CALIBER JEWELS   | 2  |
| MOVEMENT HOLDER  | 360 protection system  |
| BATTERY TYPE     | Seizaiken SR920SW battery  |
| ACCURACY         | $\pm$ 15s/ month   |
| POWER RESERVE    | $\approx$ 2y   |
| STRAP            | Deep blue TPU two-piece quick-release strap  |
| STRAP HARDWARE   | Sandblasted hardware signed UNIMATIC   |
| PRODUCT KIT      | UNIMATIC travel pouch, warranty card with unique ID seal                                   |