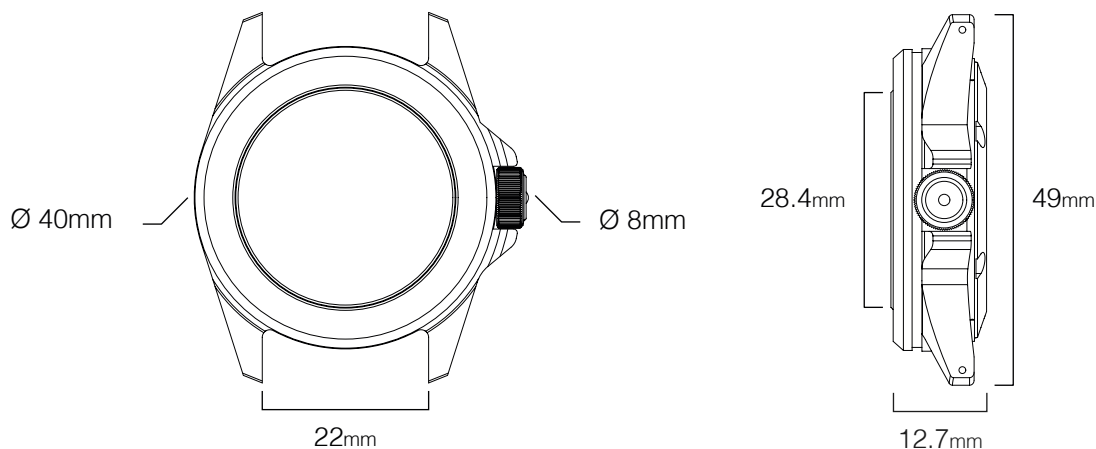


**MODELLO
QUATTRO**
Ref. U4S-C-TAB

*Made in Italy
2 years warranty
Limited edition of 50 pieces
Swiss movement*

UNIMATIC



REFERENCE	Modello Quattro U4S-C-TAB
TYPE	UNIMATIC x Tullio Abbate
ORIGIN	Made in Italy
TESTING	Singularly tested for accuracy and water resistance
EDITION	Individually numbered, edition of 50
WATER RESISTANCE	300m \approx 1000ft \approx 30atm
CASE DIMENSIONS	Diameter 40mm, height lug-to-lug 49mm, case opening 28.4mm
WEIGHT	51g/66g with the strap
CASE THICKNESS	12.7mm without the lens/ 13mm with the lens
LUGS/ STRAP SIZE	Drilled lugs/ 22mm
CASE MATERIAL	Forged carbon
CASE FINISHING	Matte finish
BEZEL	Fixed monoblock bezel
CASEBACK	Tullio Abbate number 5 screw-down caseback
CROWN	Alchemical Sun \odot 8mm screw-down
LENS DESCRIPTION	2.8mm thick flat sapphire
LENS TREATMENT	Inner side anti-reflective coating
DIAL BASE	Matte forged carbon dial base
LUMINOUS COLOR	Super-LumiNova [®] GL C1
DIAL TRIMS	Matte cool gray open second rail and dial trims
HANDS	Matte black ladder phantom H+M+S, reverse lollipop S, with matte red tip
CALIBER	Automatic caliber Sellita SW200-1 b 28800BPH
CALIBER FEATURES	Hacking seconds hand
CALIBER JEWELS	26
CALIBER WINDING	Self-winding/manual winding
ACCURACY	\pm 12s/day
POWER RESERVE	Min 38h, typical 41h
STRAP	Matte black TPU two-piece quick-release strap
STRAP HARDWARE	Matte forged carbon hardware signed UNIMATIC
PRODUCT KIT	UNIMATIC x Tullio Abbate tough case, warranty card with unique ID seal