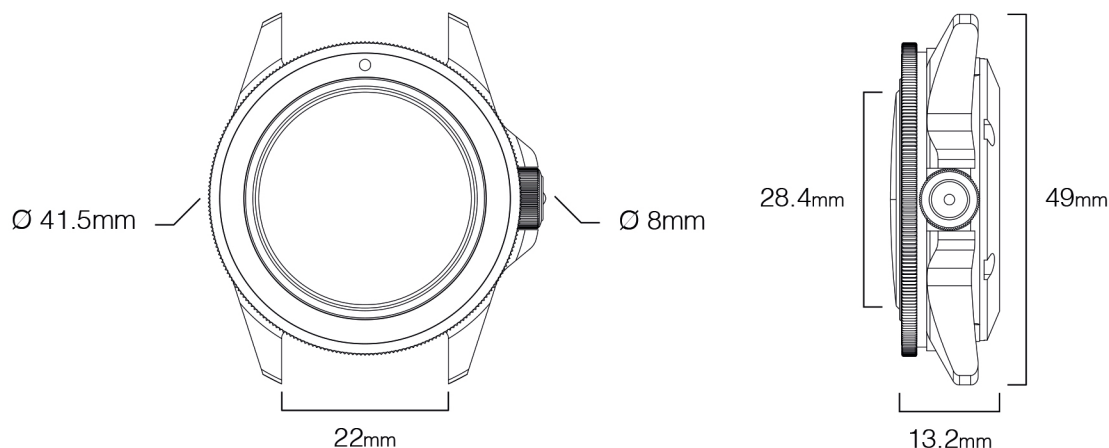


**MODELLO**  
**UNO**  
Ref. U1-TAB

*Made in Italy*  
*2 years warranty*  
*Limited edition of 200 pieces*

**UNIMATIC**



REFERENCE	Modello Uno U1-TAB
TYPE	UNIMATIC x Tullio Abbate
ORIGIN	Made in Italy
TESTING	Singularly tested for accuracy and water resistance
WATER RESISTANCE	300m ≈ 1000ft ≈ 30atm
EDITION	Individually numbered, edition of 200
CASE DIMENSIONS	Diameter 40mm/ 41.5mm with the bezel, height lug-to-lug 49mm, case opening 28.4mm
WEIGHT	93g/111g with the strap
CASE THICKNESS	13.2mm without the lens/ 14.4mm with the lens
LUGS/ STRAP SIZE	Drilled lugs/22mm
CASE MATERIAL	316L stainless steel
CASE FINISHING	Brushed finish
BEZEL	120 clicks mono-directional safety bezel
BEZEL INSERT	Reflex blue diving bezel with aluminium printing and Tullio Abbate number 5
CASEBACK	Tullio Abbate number 5 screw-down caseback
CROWN	Alchemical Sun ∅ 8mm screw-down
LENS DESCRIPTION	2.5mm thick double domed sapphire
LENS TREATMENT	Inner side anti-reflective coating
DIAL BASE	Matte white dial with reflex blue dial trims
LUMINOUS COLOR	Super-LumiNova® GL C3
DIAL TRIMS	Matte white open second rail and dial trims
HANDS	Reflex blue ladder phantom H+M+S, reverse lollipop S, with matte red tip
HANDS LUMINOUS COLOR	Super-LumiNova® GL C3 on H+M+S
CALIBER	Automatic caliber NH35A 21600BPH
CALIBER FEATURES	Hacking seconds hand bi-directional automatic + handwinding
CALIBER JEWELS	24
CALIBER WINDING	Self-winding/ manual winding
ACCURACY	-20~+40s/ day
POWER RESERVE	More than 41h
STRAP	Reflex blue TPU two-piece quick-release strap
EXTRA STRAP	Cool gray nylon NATO strap
STRAP HARDWARE	Stainless steel brushed hardware signed UNIMATIC
PRODUCT KIT	UNIMATIC x Tullio Abbate tough case, warranty card with unique ID seal