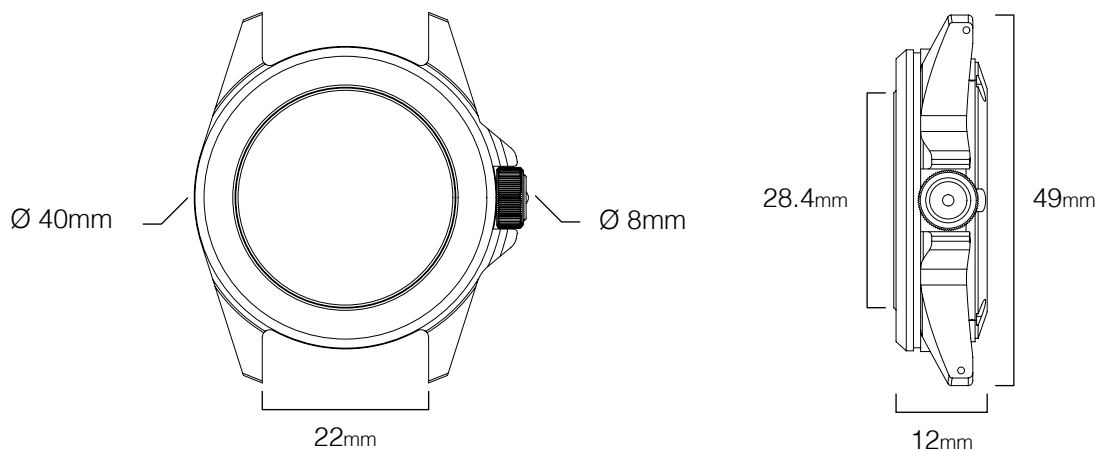


**MODELLO  
QUATTRO**  
Ref. UT4-U-TI

*Made in Italy  
2 years warranty  
Limited edition of 99 pieces*

**UNIMATIC**



REFERENCE	UNIMATIC Modello Quattro Toolwatch
TYPE	Military toolwatch
ORIGIN	Made in Italy
TESTING	MIL-STD-810H, singularly tested for accuracy and water resistance
WATER RESISTANCE	300m ≈ 1000ft ≈ 30atm
EDITION	Individually numbered, edition of 99
CASE DIAMETER	Diameter 40mm, height lug-to-lug 49mm, case opening 28.4mm
WEIGHT	51g/ 65g with the strap
CASE THICKNESS	12mm without the lens/ 12.3mm with the lens
LUGS/ STRAP SIZE	Drilled lugs/ 22mm
CASE MATERIAL	Grade II Titanium
CASE FINISHING	Sandblasted finish
BEZEL	Fixed monoblock bezel
CASEBACK	Ultratool caseback
CROWN	Alchemical Sun ⊙ 8mm screw-down
LENS DESCRIPTION	2.8mm thick flat sapphire
LENS TREATMENT	Inner side anti-reflective coating
DIAL BASE	Matte black dial with printed arabic numerals
LUMINOUS COLOR	Super-LumiNova® GL C1
DIAL TRIMS	White open second rail and international orange dial trims
HANDS	Matte black ladder phantom H+M, reverse lollipop S, international orange tip
CALIBER	Quartz VH31A
CALIBER FEATURES	Sweeping second hand
CALIBER JEWELS	2
MOVEMENT HOLDER	360 protection system
BATTERY TYPE	Seizaiken SR920SW battery
ACCURACY	±15s/ month
POWER RESERVE	≈2y
STRAP	Black nylon and international orange 3-layer nylon keeper two-piece strap
STRAP HARDWARE	Stainless steel sandblasted hardware signed UNIMATIC
PRODUCT KIT	UNIMATIC tough case, warranty card with unique ID seal