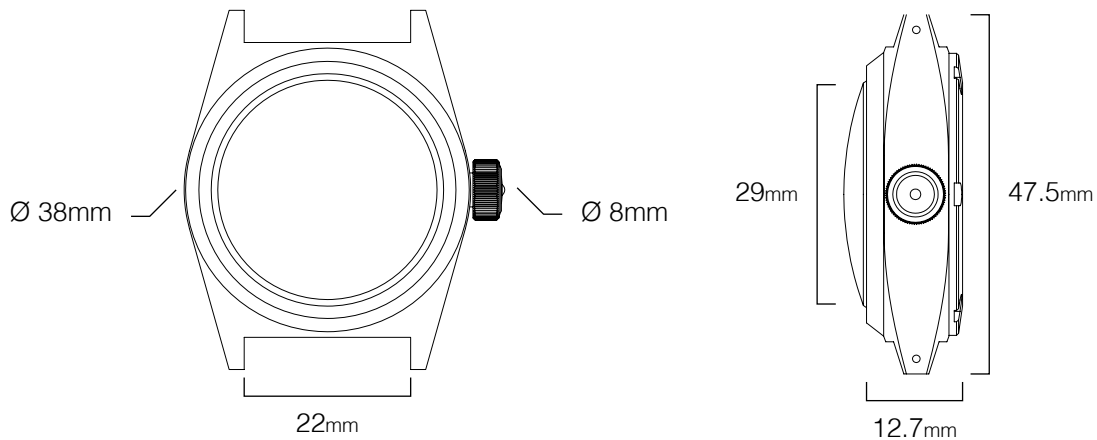


**MODELLO
DUE**
Ref. U2-GMT-NR-T

*Made in Italy
2 years warranty
Limited edition of 150 pieces*

UNIMATIC



REFERENCE	Modello Due U2-GMT-NR-T
TYPE	UNIMATIC x Norwegian Rain
ORIGIN	Made in Italy
TESTING	Singularly tested for accuracy and water resistance
WATER RESISTANCE	300m ≈ 1000ft ≈ 30atm
EDITION	Individually numbered, edition of 150
CASE DIMENSIONS	Diameter 38mm, height lug-to-lug 47.5mm, case opening 29mm
WEIGHT	86g/ 196g with the bracelet
CASE THICKNESS	12.7mm without the lens/ 15.7mm with the lens
LUGS/ STRAP SIZE	Drilled lugs/ 22mm
CASE MATERIAL	316L stainless steel
CASE FINISHING	Brushed finish
BEZEL	Fixed monoblock bezel
CASEBACK	UNIMATIC x Norwegian Rain screw-down caseback
CROWN	Alchemical Sun ⌀ 8mm screw-down
LENS DESCRIPTION	2.7mm thick double domed sapphire
LENS TREATMENT	Inner side anti-reflective coating
DIAL BASE	Oxidized copper die-cut dial
DIAL TRIMS	Dark cool gray open second rail, dial trims, 24h markers and XV in copper color
HANDS	Matte black ladder ghost GMT+H+M, reverse lollipop S, GMT hollow arrow tip in dark cool gray
DATE	Pointer-date disc with 31 date windows
CALIBER	Automatic caliber Seiko NH34A 21600bph
CALIBER FEATURES	GMT function, hacking seconds hand
CALIBER JEWELS	24
CALIBER WINDING	Self-winding/ manual winding
ACCURACY	-20~+40s/ day
POWER RESERVE	More than 41h
STRAP	Brushed solid steel bracelet
EXTRA STRAP	Green two-piece strap made from up-cycled military tent fabric with top stitching
PRODUCT KIT	UNIMATIC tough case, warranty card with unique ID seal