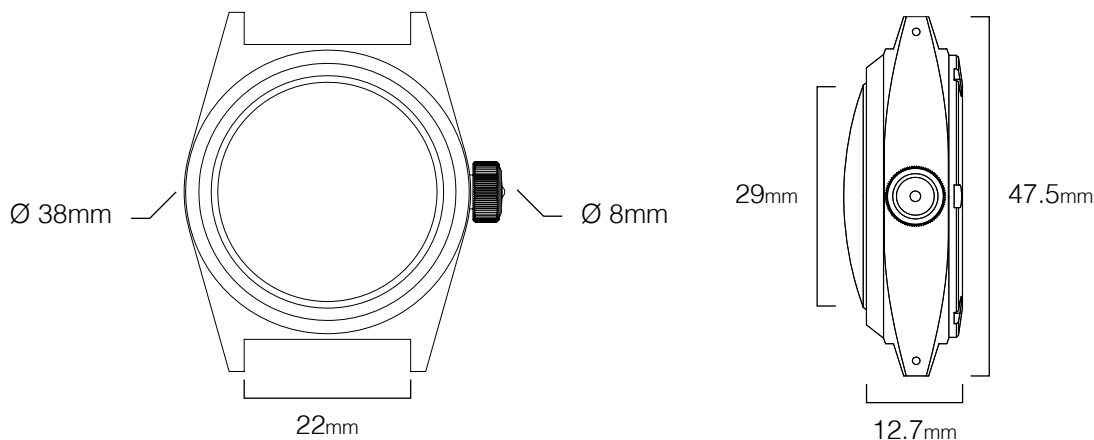


**MODELLO
DUE**
Ref. UT2-NST

*Made in Italy
2 years warranty
Limited edition of 100 pieces*

UNIMATIC



REFERENCE	Modello Due Toolwatch UT2-NST
TYPE	Rocky Mountains Watches x Natural Selection field watch
ORIGIN	Made in Italy
TESTING	Singularly tested for accuracy and water resistance
WATER RESISTANCE	300m ≈ 1000ft ≈ 30atm
EDITION	Individually numbered, edition of 100
CASE DIMENSIONS	Diameter 38mm, height lug-to-lug 47.5mm, case opening 29mm
WEIGHT	89g/ 105g with the strap
CASE THICKNESS	12.7mm without the lens/ 15.7mm with the lens
LUGS/ STRAP SIZE	Drilled lugs/ 22mm
CASE MATERIAL	316L stainless steel
CASE FINISHING	Sandblasted finish
BEZEL	Fixed monoblock bezel
CASEBACK	Rocky Mountains Watches x Natural Selection screw-down caseback
CROWN	Alchemical Sun ⦿ 8mm screw-down
LENS DESCRIPTION	2.7mm thick double domed sapphire
LENS TREATMENT	Inner side anti-reflective coating
DIAL BASE	Black matte dial with cool grey Natural Selection logo
LUMINOUS COLOR	Super-LumiNova® GL C1
DIAL TRIMS	Matte white closed second rail, cool grey dial trims, Natural Selection logo in cool grey
HANDS	Matte black ladder phantom H+M, reverse lollipop S, international orange tip
CALIBER	Quartz Seiko VH31A
CALIBER FEATURES	Sweeping second hand
CALIBER JEWELS	2
BATTERY TYPE	Seizaiken SR920SW battery
ACCURACY	±15s/ month
POWER RESERVE	≈2y
STRAP	Black nylon two-piece strap
EXTRA STRAPS	Cool grey, white, international orange and alpine blue nylon two-piece strap kit
STRAP HARDWARE	Sandblasted hardware signed UNIMATIC
PRODUCT KIT	UNIMATIC tough pouch, warranty card with unique ID seal