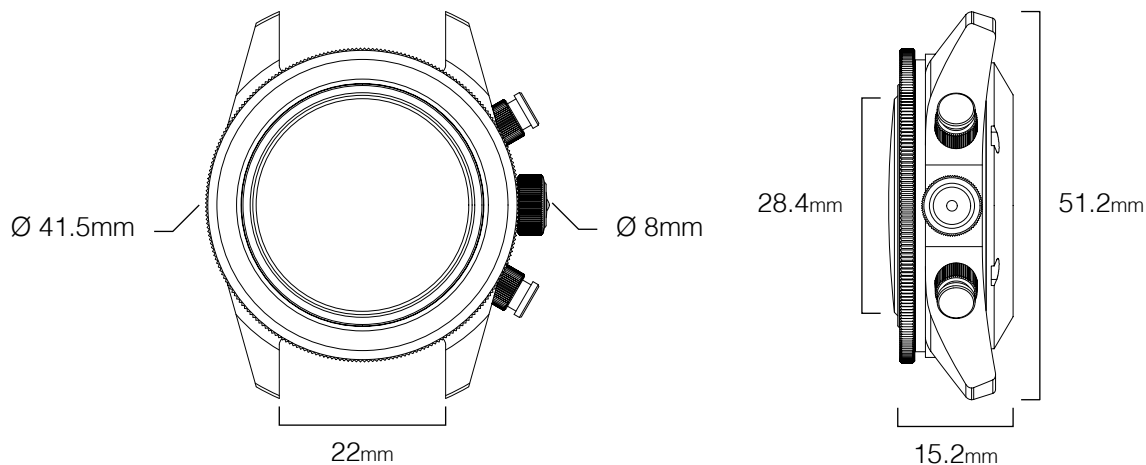


**MODELLO  
TRE**  
Ref. U3S-T-AA

*Made in Italy  
2 years warranty  
Limited edition of 30 pieces  
Swiss movement*

**UNIMATIC**



REFERENCE	Modello Tre U3S-T-AA
TYPE	UNIMATIC x Automobili Amos Automatic Chronograph
ORIGIN	Made in Italy
TESTING	Singularly tested for accuracy and water resistance
WATER RESISTANCE	300m ≈ 1000ft ≈ 30atm
EDITION	Individually numbered, edition of 30
CASE DIMENSIONS	Diameter 40mm/ 41.5mm with the bezel, height lug-to-lug 51.2mm, case opening 28.4mm
WEIGHT	77g/ 91g with the strap
CASE THICKNESS	15.2mm without lens/ 16.4mm with lens
LUGS/ STRAP SIZE	22mm
CASE MATERIAL	Grade 2 titanium
CASE FINISHING	Sandblasted finish
BEZEL	120 clicks mono-directional safety bezel
BEZEL INSERT	Grade 2 titanium insert with deep acid etched tachymeter
CASEBACK	Sapphire crystal exhibition caseback, UNIMATIC engraving on the rotor
CROWN	Alchemical Sun Ⓞ 8mm screw-down
PUSHERS	2 oversized screw-down chrono pushers
LENS DESCRIPTION	2.5mm thick double domed sapphire
LENS TREATMENT	Inner side anti-reflective coating
DIAL BASE	Titanium gray dial, two subdials
LUMINOUS COLOR	Super-LumiNova® GL dark orange
DIAL TRIMS	Warm gray second rail and dial trims
HANDS	Titanium gray ladder skeleton H+M, reverse lollipop S with safari orange tip
CALIBER	Automatic calibre Sellita SW510 BH b 28800BPH
CALIBER FEATURES	Chronometer
CALIBER JEWELS	27
CALIBER WINDING	Self-winding/ manual winding
ACCURACY	± 5s/ day
POWER RESERVE	Min 56h, typical 62h
STRAP	Safari orange TPU two-piece quick-release strap
EXTRA STRAP	Solaro fabric two-piece strap with leather lining and avana brown essex leather keepers
STRAP HARDWARE	Titanium sandblasted hardware signed UNIMATIC
PRODUCT KIT	UNIMATIC x Automobili Amos tough case, warranty card with unique ID seal