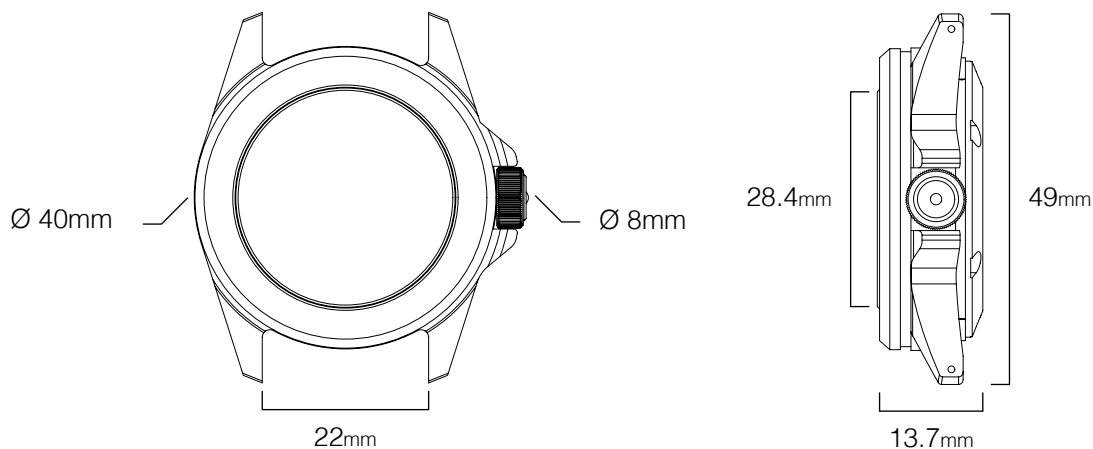


**MODELLO  
QUATTRO**  
Ref. UC4-LC

*Made in Italy  
2 years warranty  
Limited edition of 25 pieces*

**UNIMATIC**



REFERENCE	UNIMATIC Modello Quattro UC4-LC
TYPE	Military watch
ORIGIN	Made in Italy
TESTING	Singularly tested for accuracy and water resistance
WATER RESISTANCE	300m ≈ 1000ft ≈ 30atm
EDITION	Individually numbered, edition of 25
CASE DIMENSIONS	Diameter 40mm, height lug-to-lug 49mm, case opening 28.4mm
WEIGHT	100g/ 118g with the strap
CASE THICKNESS	13.7mm without the lens/ 13.9mm with the lens
LUGS/ STRAP SIZE	Drilled lugs/ 22mm
CASE MATERIAL	316L stainless steel
CASE FINISHING	Brushed finish
BEZEL	Fixed monoblock bezel
CASEBACK	Legion Company 'Strength and Honor' engraving caseback
CROWN	Alchemical Sun ⦿ 8mm screw-down
LENS DESCRIPTION	2.8mm thick flat sapphire
LENS TREATMENT	Inner side anti-reflective coating
DIAL BASE	Black matte dial with off-white Legion Company logo
LUMINOUS COLOR	Super-LumiNova® C3 pale green
DIAL TRIMS	Off-white closed second rail and dial trims
HANDS	Matte black ladder phantom H+M, reverse lollipop S, red tip
CALIBER	Automatic caliber Seiko NH35A 21600BPH
CALIBER FEATURES	Hacking seconds hand bi-directional automatic + handwinding
CALIBER JEWELS	24
CALIBER WINDING	Self-winding/ manual winding
ACCURACY	-20~+40s/ day
POWER RESERVE	More than 41h
STRAP	Black heavy duty nylon NATO strap
STRAP HARDWARE	Stainless steel brushed hardware signed UNIMATIC
PRODUCT KIT	UNIMATIC travel pouch, warranty card with unique ID seal