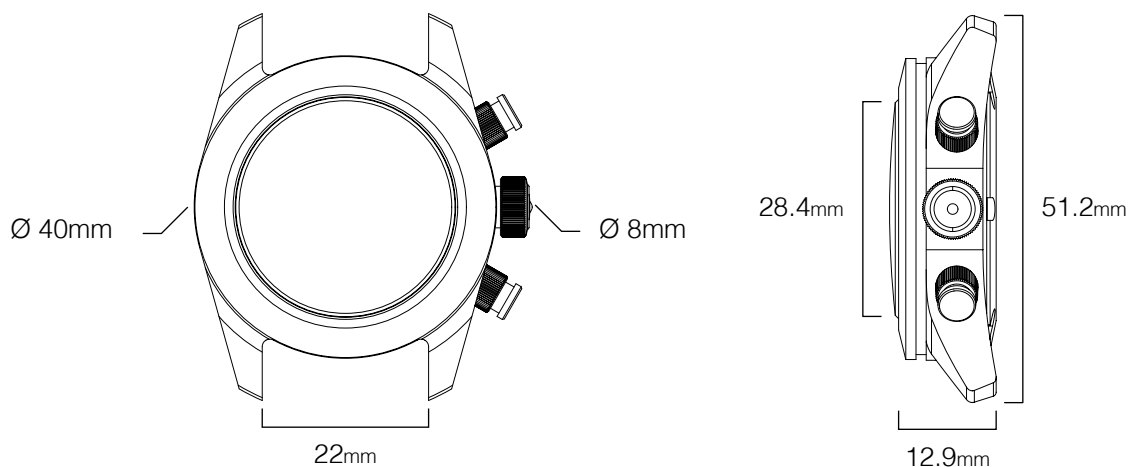


**MODELLO
TRE**
Ref. U3FB-ROPS

*Made in Italy
2 years warranty
Limited edition of 300 pieces*

UNIMATIC



REFERENCE	Modello Tre U3FB-ROPS
TYPE	Fixed bezel chrono watch
ORIGIN	Made in Italy
TESTING	Singularly tested for accuracy and water resistance
WATER RESISTANCE	300m ≈ 1000ft ≈ 30atm
EDITION	Individually numbered, edition of 300
CASE DIMENSIONS	Diameter 40mm, height lug-to-lug 51.2mm, case opening 28.4mm
WEIGHT	90g/ 109g with the strap
CASE THICKNESS	12.9mm without the lens/ 14.1mm with the lens
LUGS/ STRAP SIZE	22mm
CASE MATERIAL	316L stainless steel
CASE FINISHING	Black DLC sandblasted finish
BEZEL	Fixed monoblock bezel
CASEBACK	Military time conversion table caseback
CROWN	Alchemical Sun Ⓞ 8mm screw-down
LENS DESCRIPTION	2.5mm thick double domed sapphire
LENS TREATMENT	Inner side anti-reflective coating
DIAL BASE	Matte black dial with concentric circles subdial
LUMINOUS COLOR	Super-LumiNova® GL light old radium
DIAL TRIMS	Gold metallic closed second rail and dial trims
HANDS	Gold metallic brushed ladder phantom H+M, reverse lollipop S, Super-LumiNova® tip
CALIBER	Meca-quartz caliber VK64 32.74Hz
CALIBER FEATURES	Chronometer
ACCURACY	±20s/ month
POWER RESERVE	≈3y
TYPE OF OSCILLATOR	Tuning fork
BATTERY TYPE	Silver oxide SR936SW battery
STRAP	Black TPU two-piece quick-release strap
STRAP HARDWARE	DLC black sandblasted finish hardware signed UNIMATIC
PRODUCT KIT	UNIMATIC tough case, warranty card with unique ID seal