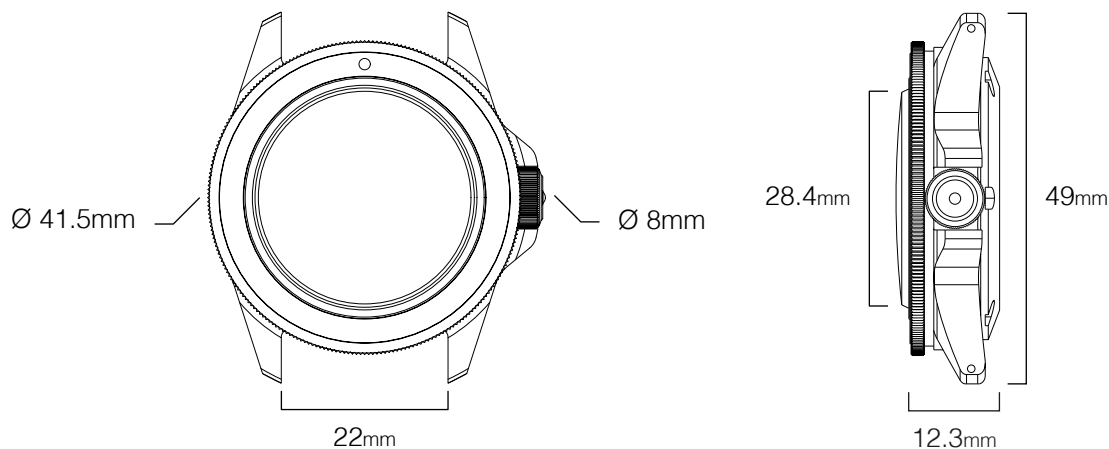


**MODELLO
UNO**
Ref. U1S-PD6-RB
Bracelet

*Made in Italy
2 years warranty
Limited edition of 300
Swiss movement*

UNIMATIC



REFERENCE	Modello Uno U1S-PD6-RB
TYPE	Slim professional dive watch
ORIGIN	Made in Italy
TESTING	Singularly tested for accuracy and water resistance
EDITION	Individually numbered, edition of 300
WATER RESISTANCE	600m≈2000ft≈60atm
CASE DIMENSIONS	Diameter 40mm/ 41.5mm with the bezel, height lug-to-lug 49mm, case opening 28.4mm
WEIGHT	89g/ 107g with the strap
CASE THICKNESS	12.3mm without the lens/ 14mm with the lens
LUGS/ STRAP SIZE	Drilled lugs/ 22mm
CASE MATERIAL	316L stainless steel
CASE FINISHING	Brushed finish
BEZEL	120 clicks mono-directional safety bezel
BEZEL INSERT	Reflex blue ceramic diving insert with Super-LumiNova® BG W9 markers
CASEBACK	UNIMATIC conversion scale screw-down caseback
CROWN	Alchemical Sun ⊙ 8mm screw-down
LENS DESCRIPTION	3mm thick double domed sapphire
LENS TREATMENT	Inner side anti-reflective coating
DIAL BASE	Reflex blue dial
LUMINOUS COLOR	Super-LumiNova® white custom emission OL orange
DIAL TRIMS	Matte white closed second rail and dial trims
HANDS	Matte black ladder phantom H+M, reverse lollipop S
HAND LUMINOUS COLOR	Super-LumiNova® BGW09 on M, Super-LumiNova® white custom emission OL orange on H+S
DATE	Window H6
CALIBER	Automatic calibre Sellita SW200-1 a 28800BPH
CALIBER FEATURES	Hacking seconds hand
CALIBER JEWELS	26
CALIBER WINDING	Self-winding/ manual winding
ACCURACY	±12s/day
POWER RESERVE	Min 38h, typical 41h
STRAP	Reflex blue TPU two-piece quick-release strap
STRAP HARDWARE	Stainless steel brushed hardware signed UNIMATIC
EXTRA BRACELET	Brushed solid steel bracelet
PRODUCT KIT	UNIMATIC tough case, warranty card with unique ID seal