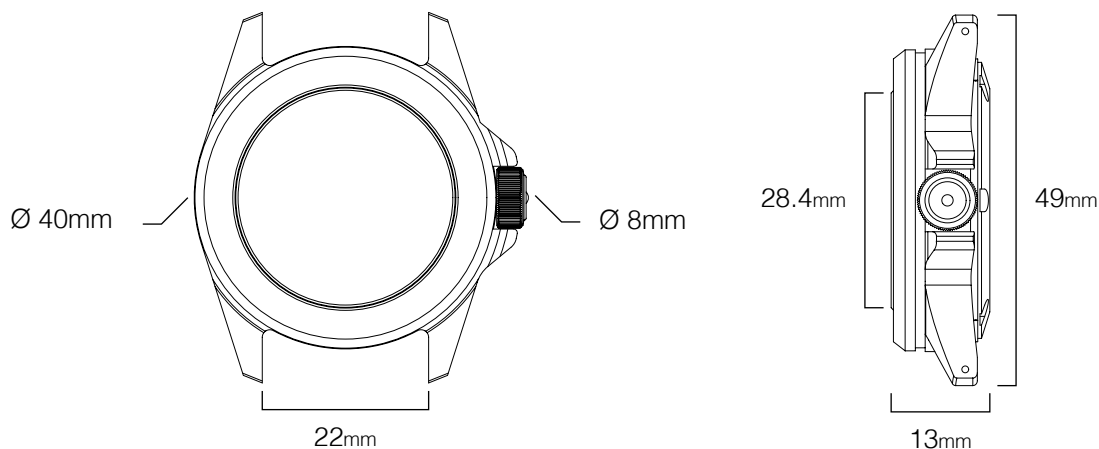


**MODELLO
QUATTRO**
Ref. UT4-TW

*Made in Italy
2 years warranty
Limited edition of 200 pieces*

UNIMATIC



REFERENCE	Modello Quattro Toolwatch UT4-TW
TYPE	UNIMATIC x South Park
ORIGIN	Made in Italy
TESTING	Singularly tested for accuracy and water resistance
WATER RESISTANCE	300m ≈ 1000ft ≈ 30atm
EDITION	Individually numbered, edition of 200
CASE DIMENSIONS	Diameter 40mm, height lug-to-lug 49mm, case opening 28.4mm
WEIGHT	88g/ 94g with the strap
CASE THICKNESS	12.7mm without lens/ 13mm with lens
LUGS/ STRAP SIZE	Drilled lugs/ 22mm
CASE MATERIAL	316L stainless steel
CASE FINISHING	Brushed finish
BEZEL	Fixed monoblock bezel
CASEBACK	UNIMATIC x South Park "Towelie" screw-down caseback
CROWN	Alchemical Sun ⦿ 8mm screw-down
LENS DESCRIPTION	2.8mm thick flat sapphire
LENS TREATMENT	Inner side anti-reflective coating
DIAL BASE	Pale purple dial, Towelie character with an "expression" window
LUMINOUS COLOR	Super-LumiNova® C1
DIAL TRIMS	Matte black open second rail and matte white dial trims
HANDS	Pale purple ladder phantom H+M, reverse lollipop S with Super-LumiNova® C1 tip
CALIBER	Quartz VJ43B
ADDITIONAL FEATURES	Day disk featuring various Towelie expressions
CALIBER JEWELS	0
MOVEMENT HOLDER	Pale purple 360 protection system
BATTERY TYPE	364 (SR621SW) battery
ACCURACY	±20s/ month
POWER RESERVE	≈3y
STRAP	Towelie purple TPU two-piece quick-release strap
EXTRA STRAP	Towelie purple suede leather two-piece quick-release strap
STRAP HARDWARE	Stainless steel brushed hardware signed UNIMATIC
PRODUCT KIT	UNIMATIC tough case, warranty card with unique ID seal