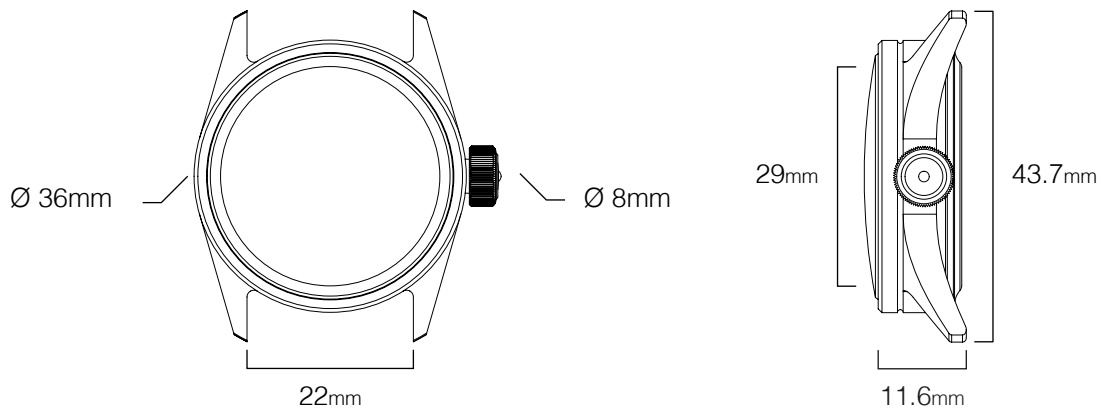


**MODELLO
CINQUE**
Ref. UT5-TANC-B

*Made in Italy
2 years warranty
Limited edition of 150 pieces*

UNIMATIC



REFERENCE	Modello Cinque Toolwatch UT5-TANC-B
TYPE	UNIMATIC x Nigel Cabourn x The Armoury
ORIGIN	Made in Italy
TESTING	Singularly tested for accuracy and water resistance
WATER RESISTANCE	300m ≈ 1000ft ≈ 30atm
EDITION	Individually numbered, edition of 150
CASE DIMENSIONS	Diameter 36mm, height lug-to-lug 43.7mm, case opening 29mm
WEIGHT	51g/ 64g with the strap
CASE THICKNESS	11.6mm without the lens/ 13.5mm with the lens
LUGS/ STRAP SIZE	22mm
CASE MATERIAL	316L stainless steel
CASE FINISHING	Cerakote™ O.D. navy blue stonewashed coating
BEZEL	Fixed monoblock bezel
CASEBACK	Dazzle camouflage caseback
CROWN	Alchemical Sun ⦿ 8mm screw-down
LENS DESCRIPTION	2.2mm thick double domed sapphire
LENS TREATMENT	Inner side anti-reflective coating
DIAL BASE	Navy blue dial with printed arabic numerals
LUMINOUS COLOR	Super-LumiNova® GL old radium
DIAL TRIMS	Matching lume open second rail and dial trims, Nigel Cabourn logo in international orange
HANDS	Matte navy blue phantom H+M, reverse lollipop S, international orange tip
CALIBER	Quartz VH31A
CALIBER FEATURES	Sweeping second hand
CALIBER JEWELS	2
MOVEMENT HOLDER	360 protection system
BATTERY TYPE	Seizaiken SR920SW battery
ACCURACY	±15s/ month
POWER RESERVE	≈2y
STRAP	Forest night nylon keeper two-piece quick-release strap
STRAP HARDWARE	Cerakote™ O.D. navy blue stonewashed coating hardware signed UNIMATIC
PRODUCT KIT	UNIMATIC travel pouch, warranty card with unique ID seal