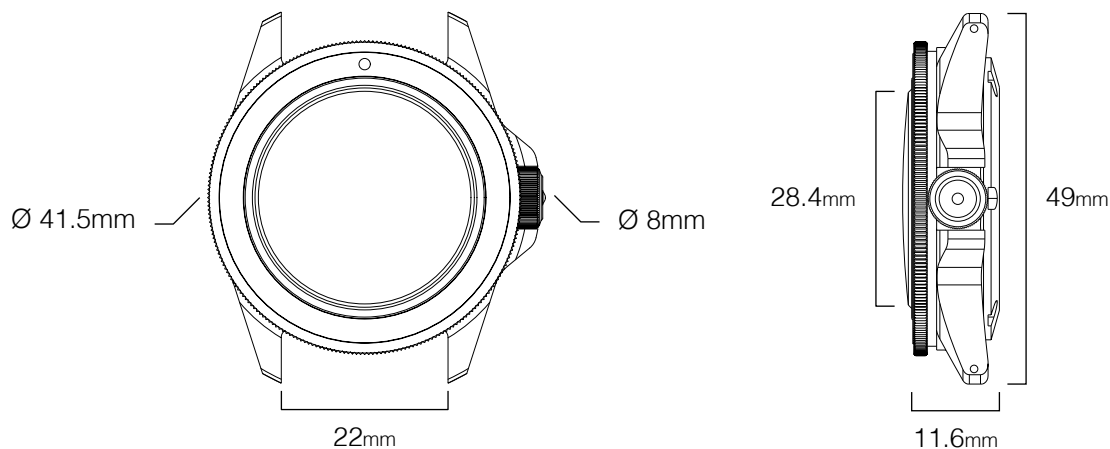


**MODELLO
UNO**
Ref. U1S-GMT-YPO26

*Made in Italy
2 years warranty
Limited edition of 60 pieces
Swiss movement*

UNIMATIC



REFERENCE	UNIMATIC Modello Uno U1S-GMT-YPO26
TYPE	UNIMATIC x YPO Brasil
ORIGIN	Made in Italy
TESTING	Singularly tested for accuracy and water resistance
WATER RESISTANCE	300m \approx 1000ft \approx 30atm
EDITION	Individually numbered, edition of 60
CASE DIMENSIONS	Diameter 40mm/ 41.5mm with the bezel, height lug-to-lug 49mm, case opening 28.4mm
WEIGHT	85g/ 103g with the strap
CASE THICKNESS	11.6mm without the lens/ 12.8mm with the lens
LUGS/ STRAP SIZE	Drilled lugs/ 22mm
CASE MATERIAL	316L stainless steel
CASE FINISHING	Brushed finish
BEZEL	120 clicks mono-directional safety bezel
BEZEL INSERT	Blu notte aluminium insert with 24h markers
CASEBACK	Index screw-down caseback
CROWN	Alchemical Sun \odot 8mm screw-down
LENS DESCRIPTION	3mm thick double domed sapphire
LENS TREATMENT	Inner side anti-reflective coating
DIAL BASE	Blue notte acid etched dial with YPO logo pattern
LUMINOUS COLOR	Super-LumiNova [®] GL C1
DIAL TRIMS	Cool gray open second rail and dial trims
HANDS	Blue notte ladder phantom H+M, reverse lollipop S with Super-LumiNova GL C1 tip
24H HAND	Blue notte 24H, hollow arrow tip in cool gray orange
DATE	Window H6
CALIBER	Swiss-made automatic calibre ETA 2893-2 28800bph
CALIBER FEATURES	GMT function, hacking seconds hand
CALIBER JEWELS	21
ACCURACY	+/- 5 sec/day up to +/-15 sec/day
POWER RESERVE	42h
STRAP/BRACELET	Blue notte TPU two-piece quick-release strap
STRAP HARDWARE	Stainless steel brushed hardware signed UNIMATIC
PRODUCT KIT	UNIMATIC tough case, warranty card with unique ID seal