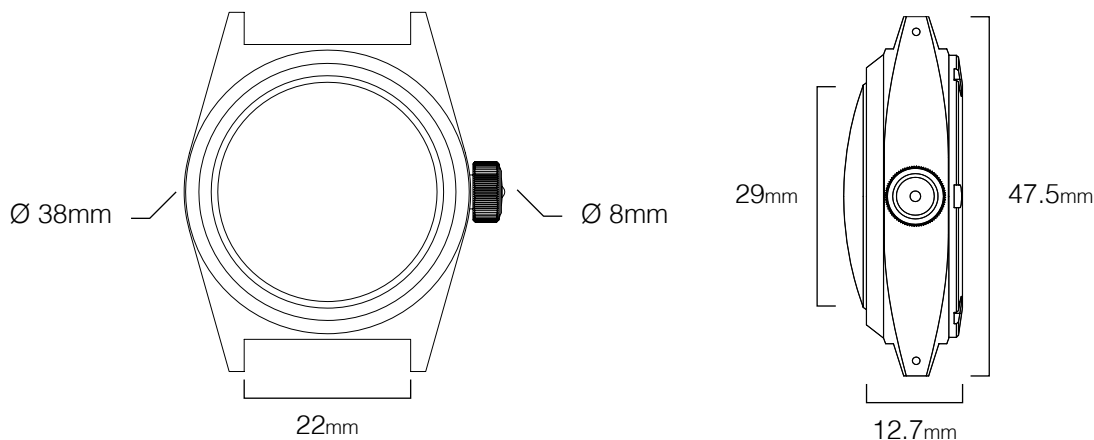


**MODELLO
DUE CLASSIC**

Ref. UC2

*Made in Italy
2 years warranty*

UNIMATIC



REFERENCE	UNIMATIC Modello Due Classic
TYPE	Classic field watch
ORIGIN	Made in Italy
TESTING	Singularly tested for accuracy and water resistance
WATER RESISTANCE	300m ≈ 1000ft ≈ 30atm
CASE DIMENSIONS	Diameter 38mm, height lug-to-lug 47.5mm, case opening 29mm
WEIGHT	89g/ 105g with the strap
CASE THICKNESS	12.7mm without the lens/ 15.7mm with the lens
LUGS/ STRAP SIZE	Drilled lugs/ 22mm
CASE MATERIAL	316L stainless steel
CASE FINISHING	Brushed finish
BEZEL	Fixed monoblock bezel
CASEBACK	UNIMATIC "Rosa dei venti" caseback
CROWN	Alchemical Sun ∅ 8mm screw-down
LENS DESCRIPTION	2.7mm thick double domed sapphire
LENS TREATMENT	Inner side anti-reflective coating
DIAL BASE	Matte black dial
LUMINOUS COLOR	Super-LumiNova® C3 pale green
DIAL TRIMS	Off-white closed second rail and dial trims
HANDS	Matte black ladder phantom H+M, reverse lollipop S, off-white tip
CALIBER	Automatic caliber Seiko NH35A 21600BPH
CALIBER FEATURES	Hacking seconds hand bi-directional automatic + handwinding
CALIBER JEWELS	24
CALIBER WINDING	Self-winding/ manual winding
ACCURACY	-20~+40s/ day
POWER RESERVE	More than 41h
STRAP	Black nylon two-piece strap
STRAP HARDWARE	Stainless steel brushed hardware signed UNIMATIC
PRODUCT KIT	Black UNIMATIC travel pouch, warranty card with unique ID seal