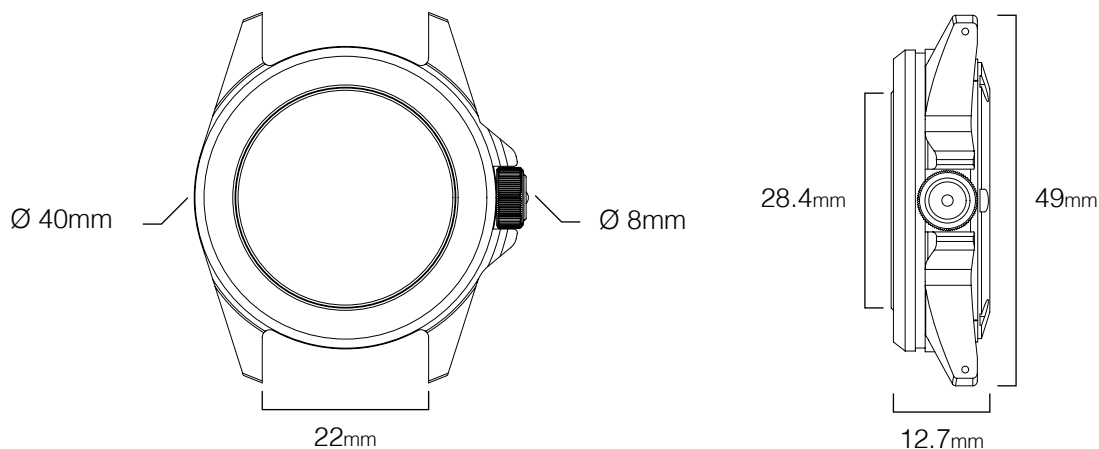


**MODELLO
QUATTRO TOOLWATCH**

Ref. UT4

*Made in Italy
2 years warranty*

UNIMATIC



REFERENCE	UNIMATIC Modello Quattro Toolwatch
TYPE	Military toolwatch
ORIGIN	Made in Italy
TESTING	MIL-STD-810H, singularly tested for accuracy and water resistance
WATER RESISTANCE	300m ≈ 1000ft ≈ 30atm
CASE DIAMETER	Diameter 40mm, height lug-to-lug 49mm, case opening 28.4mm
WEIGHT	81g/ 96g with the strap
CASE THICKNESS	12.7mm without the lens/ 13mm with the lens
LUGS/ STRAP SIZE	Drilled lugs/ 22mm
CASE MATERIAL	316L stainless steel
CASE FINISHING	Sandblasted finish
BEZEL	Fixed monoblock bezel
CASEBACK	UNIMATIC 360° X-ray caseback
CROWN	Alchemical Sun ⌀ 8mm screw-down
LENS DESCRIPTION	2.8mm thick flat sapphire
LENS TREATMENT	Inner side anti-reflective coating
DIAL BASE	Matte black dial with printed arabic numerals
LUMINOUS COLOR	Super-LumiNova® C1
DIAL TRIMS	White open second rail and international orange dial trims
HANDS	Matte black ladder phantom H+M, reverse lollipop S, international orange tip
CALIBER	Quartz Seiko VH31A
CALIBER FEATURES	Sweeping second hand
CALIBER JEWELS	2
MOVEMENT HOLDER	360 protection system
BATTERY TYPE	Seizaiken SR920SW battery
ACCURACY	±15s/ month
POWER RESERVE	≈2y
STRAP	Black nylon keeper two-piece quick-release strap
STRAP HARDWARE	Sandblasted hardware signed UNIMATIC
PRODUCT KIT	UNIMATIC travel pouch, warranty card with unique ID seal