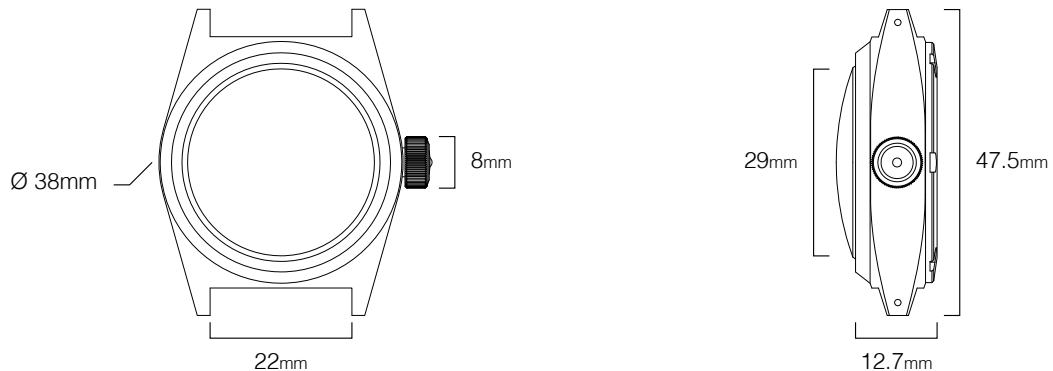


MODELLO DUE
Ref. U2-KKD

Made in Italy
2 years warranty
Limited edition of 150 pieces

UNIMATIC



REFERENCE	Modello Due U2-KKD
TYPE	UNIMATIC x Kaikado x ERG
WATER RESISTANCE	300m≈1000ft≈30atm
ORIGIN	Made in Italy
TESTING	Singularly tested for accuracy and water resistance
EDITION	Individually numbered, edition of 150
CASE SIZE	Diameter 38mm
LUGS / STRAP SIZE	Drilled lugs / 22mm
CASE MATERIAL	316 L stainless steel
CASE FINISHING	Brushed finish
CASEBACK	UNIMATIC x Kaikado x ERG Media - 150 anniversary
CROWN	Alchemical Sun ☉ 8mm screw-down
LENS DESCRIPTION	2.7 mm ultra double domed sapphire
LENS TREATMENT	Inner side anti-reflective coating
DIAL	Circular polished 925 silver dial with Kaikado and ERG Media debossed logos
DIAL TRIMS	Debossed dial trims
HANDS	Matte black skeleton H+M, reverse lollipop S, off-white tip
CALIBER	Automatic caliber Seiko NH35A
CALIBER FREQUENCY	21600bph
CALIBER FEATURES	Hacking seconds hand bi-directional automatic
CALIBER WINDING	Self-winding/ manual winding
CALIBER JEWELS	24 Jewels
ACCURACY	-20/+40 s/day
POWER RESERVE	41h
STRAP	Gray worn leather side-stitch two-piece quick release strap
STRAP HARDWARE	Stainless steel brushed hardware signed UNIMATIC
PRODUCT KIT	UNIMATIC tough case, warranty card with unique ID seal