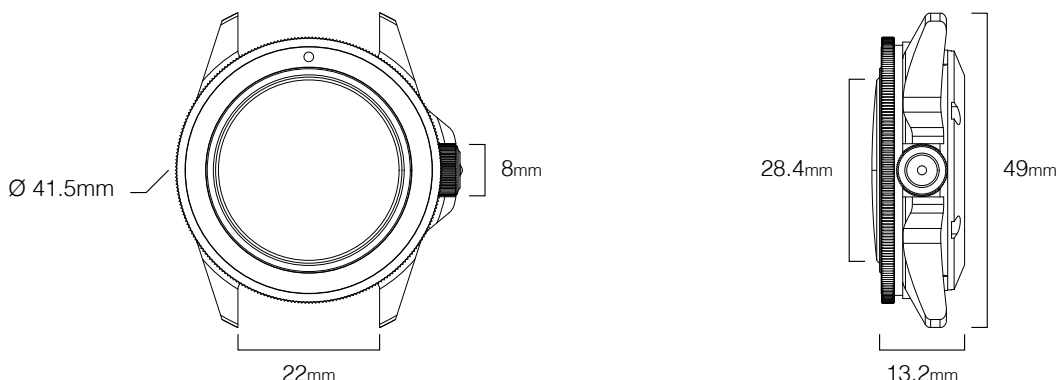


MODELLO UNO
Ref. U1-SPG

Made in Italy
2 years warranty
Limited edition of 99 pieces

UNIMATIC



REFERENCE	Modello Uno U1-SPG
TYPE	UNIMATIC x Massena LAB
WATER RESISTANCE	300m≈1000ft≈30atm
ORIGIN	Made in Italy
TESTING	Singularly tested for accuracy and water resistance
EDITION	Individually numbered, edition of 99
CASE SIZE	40mm / 41.5mm with bezel
LUGS / STRAP SIZE	22mm
CASE MATERIAL	316 L stainless steel
CASE FINISHING	Cerakote™ tequila sunrise coating
BEZEL	120 clicks mono-directional safety bezel with Cerakote™ armour black coating
BEZEL INSERT	Matte black ceramic diving insert with Super-LumiNova® GL old radium markers
CASEBACK	Artemis UNIMATIC x Massena LAB screw-down caseback
CROWN	Alchemical Sun ☉ 8mm screw-down
LENS DESCRIPTION	2.5 mm double domed sapphire
LENS TREATMENT	Inner side anti-reflective coating
DIAL	Matte black dial with luminous NASA logo
LUMINOUS COLOR	Super-LumiNova® GL light old radium
DIAL TRIMS	Glossy white open second rail, Super-LumiNova® GL light old radium 24h markers
HANDS	Matte black ladder phantom H+M, reverse lollipop S, 2H with a hollow arrow tip
CALIBER	Automatic caliber Seiko NH34A
CALIBER FREQUENCY	21600bph
CALIBER FEATURES	GMT function
CALIBER WINDING	Self-winding/ manual winding
CALIBER JEWELS	21 Jewels
ACCURACY	+/- 5 sec/day up to +/-15 sec/day
POWER RESERVE	42h
STRAP	Tequila sunrise quick-release nylon x stitched strap with a nylon keeper
STRAP EXTRA	Black quick-release nylon x stitched strap with a nylon keeper
STRAP HARDWARE	Cerakote™ tequila sunrise buckle signed UNIMATIC
PRODUCT KIT	UNIMATIC x Massena LAB tough case, NASA velcro patch, warranty card with unique ID seal