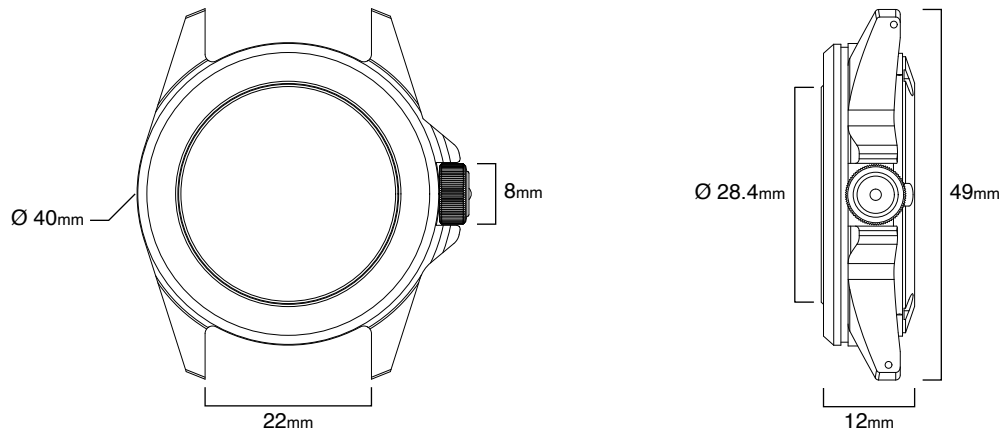


**MODELLO
QUATTRO**
Ref. UT4-SP

*Limited edition of 200 pieces
Quartz movement
Made in Italy
2 years warranty*

UNIMATIC



REFERENCE	Modello Quattro UT4-SP
TYPE	UNIMATIC x South Park
ORIGIN	Made in Italy
TESTING	Singularly tested for accuracy and water resistance
EDITION	Individually numbered, edition of 200
WATER RESISTANCE	300m = 1000ft = 30atm
SIZE	Diameter 40mm
CASE THICKNESS	12mm
LUGS / STRAP SIZE	Drilled lugs / 22mm
CASE MATERIAL	316 stainless steel
CASE FINISHING	Brushed finish
BEZEL	Fixed monoblock bezel
CASEBACK	UNIMATIC x South Park screw-down caseback
CROWN	Alchemical Sun ☉ 8mm screw-down
LENS DESCRIPTION	2.8mm thick flat sapphire
LENS TREATMENT	Inner side anti-reflective coating
DIAL BASE COLOR	Matte black outline dial with multicolor South Park boys
LUMINOUS COLOR	Super-LumiNova®C1
DIAL TRIMS	Matte white open second rail and dial trims
HANDS	Matte black ladder phantom H+M, reverse lollipop S, matte white tip
CALIBER	Quartz Seiko VH31
CALIBER FEATURES	Sweeping second hand
CALIBER JEWELS	2
MOVEMENT HOLDER	360 protection MIL-STD-810H certified
BATTERY TYPE	Seizaiken SR920SW
BATTERY SIZE	Diameter 9.5 mm
ACCURACY	±15 s/month
POWER RESERVE	≈2y
ANTIMAGNETISM	Antimagnetic ≥ 1600 A/m
PRODUCT KIT	UNIMATIC x South Park tough case, warranty card with unique ID seal, certification, tin box
STRAP	Black nylon NATO strap, stainless steel brushed hardware signed UNIMATIC
4 EXTRA STRAPS	Dark chocolate leather 2pcs strap, meadow green TPU strap, international orange nylon NATO strap, turquoise cordura 2pcs strap