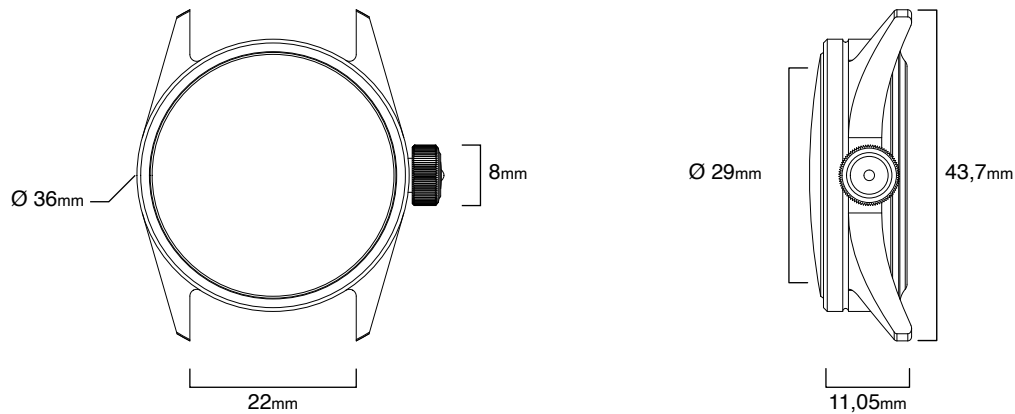


**MODELLO
CINQUE**
Ref. U5S-A

*Limited edition of 300 pieces
Made in Italy
2 years warranty*

UNIMATIC®



PRODUCT NAME	Modello Cinque U5S-A
TYPE	Slim all-round watch
WATER RESISTANCE	300m = 1000ft = 30atm WR
ORIGIN	Made in Italy
TESTING	Singularly tested for accuracy and water resistance
EDITION	Individually numbered, edition of 300
CASE SIZE	Diameter 36mm
LUGS / STRAP SIZE	22mm
CASE MATERIAL	316 stainless steel
CASE FINISHING	Brushed finish
CASEBACK	Unimatic "Quattro Stagioni" caseback
CROWN	Alchemical Sun ☉ 8mm screw-down
LENS DESCRIPTION	2.2mm thick double domed sapphire
LENS TREATMENT	Inner side anti-reflective coating
DIAL	Grigio Milano outline dial
DIAL FEATURES	Glossy cool gray markers, open second rail and dial trims
HANDS	Glossy cool gray skeleton H+M+S
CALIBER TYPE	Automatic calibre Sellita SW200-1 b
CALIBER FREQUENCY	28800bph
CALIBER FEATURE	Hacking seconds hand
CALIBER WINDING	Self-winding/ manual winding
CALIBER JEWELS	26
ACCURACY	+/- 12 sec/day up to +/-30 sec/day
POWER RESERVE	Min 38h, typical 41h
STRAP	Black tapered 22-20mm quick-release two-piece TPU strap
EXTRA STRAP	Black calf leather tapered 22-18mm two-piece strap
HARDWARE	Stainless steel brushed hardware signed UNIMATIC
PRODUCT KIT	UNIMATIC tough case, warranty card with unique ID seal