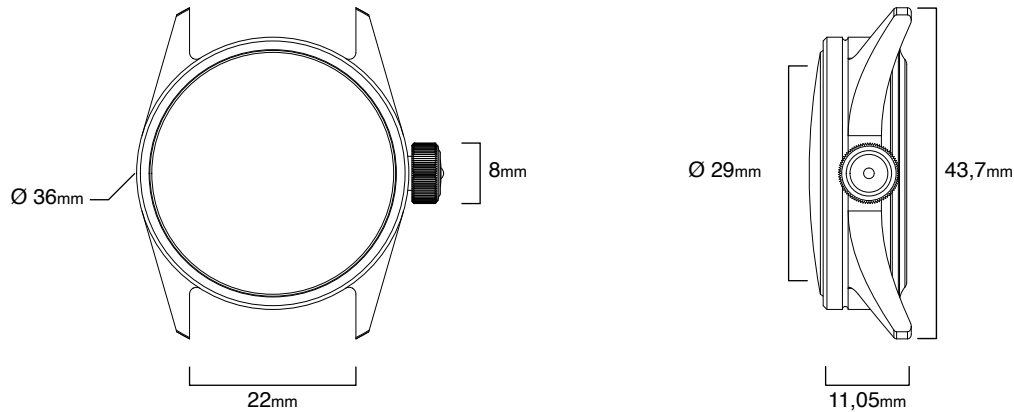


**MODELLO
CINQUE**
Ref. U5S-ML

*Limited edition of 300 pieces
Made in Italy
2 years warranty*

UNIMATIC®



PRODUCT NAME	Modello Cinque U5S-ML
TYPE	UNIMATIC x Massena LAB
WATER RESISTANCE	300m = 1000ft = 30atm WR
ORIGIN	Made in Italy
TESTING	Singularly tested for accuracy and water resistance
EDITION	Individually numbered, edition of 300
CASE SIZE	Diameter 36mm
LUGS / STRAP SIZE	22mm
CASE MATERIAL	316L stainless steel
CASE FINISHING	Brushed finish
CASEBACK	Unimatic x Massena LAB Fibonacci sequence caseback
CROWN	Alchemical Sun ☉ 8mm screw-down
LENS DESCRIPTION	2.2mm thick double domed sapphire
LENS TREATMENT	Inner side anti-reflective coating
DIAL BASE	Matte black long index dial
LUMINOUS	Super-LumiNova® C1 on the hands
DIAL FEATURES	Glossy white open second rail and dial trims
DATE	Window H6
HANDS	Matte black ladder phantom H+M, reverse lollipop S, straw yellow tips
CALIBER TYPE	Automatic calibre Sellita SW200-1
CALIBER FREQUENCY	28800bph
CALIBER FEATURE	Hacking seconds hand
CALIBER WINDING	Self-winding/ manual winding
CALIBER JEWELS	26
ACCURACY	+/- 12 sec/day up to +/-30 sec/day
POWER RESERVE	Min 38h, typical 41h
STRAP	Black tapered 22-20mm quick-release two-piece TPU strap
EXTRA STRAP	Straw yellow tapered 22-20mm quick-release two-piece TPU strap
HARDWARE	Stainless steel brushed hardware signed UNIMATIC
PRODUCT KIT	UNIMATIC x Massena LAB tough case, warranty card with unique ID seal