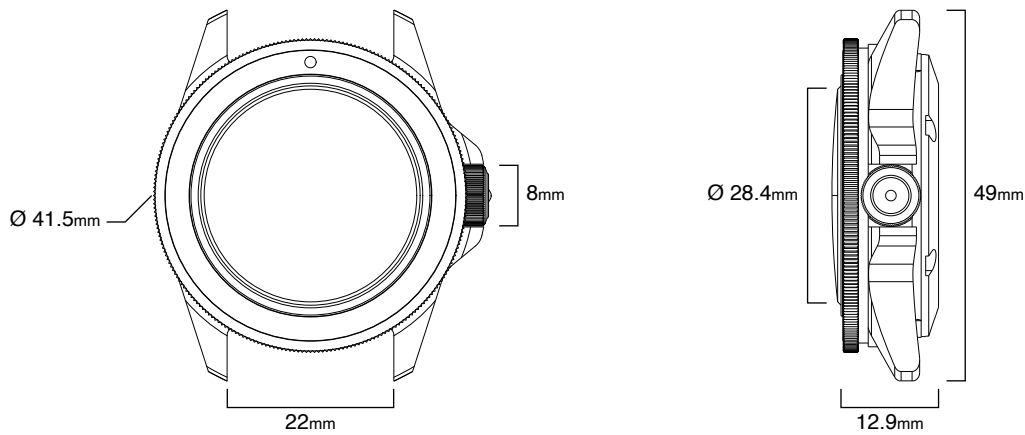


**MODELLO UNO**  
Ref. U1-MoMA-G

*Limited edition of 66 pieces*  
*Made in Italy*  
*2 years warranty*

**UNIMATIC®**



PRODUCT NAME	Modello Uno U1-MoMA-G
TYPE	UNIMATIC x MoMA
WATER RESISTANCE	300m = 1000ft = 30atm WR
ORIGIN	Made in Italy
TESTING	Singularly tested for accuracy and water resistance
EDITION	Individually numbered, edition of 66
CASE SIZE	Diameter 40mm, 41.5mm including the bezel
LUGS / STRAP SIZE	22mm
CASE MATERIAL	316 stainless steel
CASE FINISHING	Brushed finish
BEZEL	120 clicks mono-directional safety bezel
BEZEL INSERT	Matte black aluminium insert with raised lume dot
CASEBACK	UNIMATIC x MoMA screw-down caseback
CROWN	Alchemical Sun ☉ 8mm screw-down
LENS DESCRIPTION	2.5mm thick double domed sapphire
LENS TREATMENT	Inner side anti-reflective coating
DIAL BASE	MoMA green dive dial
LUMINOUS	Super-LumiNova® light red
DIAL FEATURES	Black open second rail and dial trims
HANDS	MoMA pink ladder phantom H+M, reverse lollipop S, Super-LumiNova® light red tip
CALIBER TYPE	Automatic calibre Seiko NH35A
CALIBER FREQUENCY	21600 bph
CALIBER FEATURE	Hacking seconds hand
CALIBER WINDING	Self-winding/ manual winding
CALIBER JEWELS	24
ACCURACY	-20/+40 s/day
POWER RESERVE	41h
ANTIMAGNETISM	Antimagnetic ≥ 4800 A/m
STRAP BASE	Black TPU two-piece strap, stainless steel brushed hardware signed UNIMATIC
PRODUCT KIT	UNIMATIC tough case, warranty card with unique ID seal