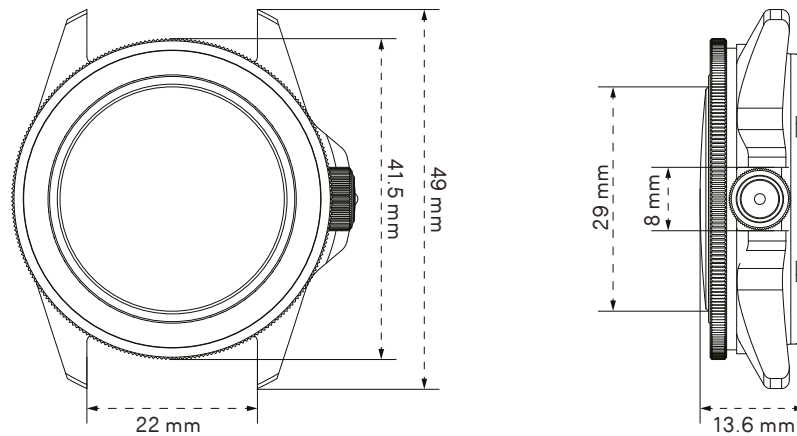


**MODELLO UNO**  
Ref. U1-ER

*Limited edition of 300 pieces*  
*Made in Italy*  
*2 years warranty*

**UNIMATIC®**



PRODUCT NAME	Modello Uno U1-ER
TYPE	Unimatic x L'Eroica
WATER RESISTANCE	300m = 1000ft = 30atm WR
ORIGIN	Made in Italy
TESTING	Singularly tested for accuracy and water resistance
EDITION	Individually numbered, edition of 300
CASE SIZE	40mm
LUGS / STRAP SIZE	22mm
CASE MATERIAL	316 stainless steel
CASE FINISHING	Brushed finish
BEZEL	120 clicks mono-directional safety bezel
BEZEL INSERT	Matte black aluminium minimal insert with raised lume dot
CASEBACK	Unimatic x L'Eroica caseback
CROWN	Alchemical Sun ☉ 8mm screw-down
LENS DESCRIPTION	2.5mm thick double domed sapphire
LENS TREATMENT	Inner side anti-reflective coating
DIAL BASE COLOR	Degrade dial - L'Eroica red / black
LUMINOUS COLOR	Super-LumiNova® C1 white
DIAL TRIMS	Silver open second rail and dial trims
HANDS	L'Eroica red ladder phantom H+M, reverse lollipop S, Super-LumiNova® C1 white tip
CALIBER TYPE FREQUENCY	Automatic calibre Seiko NH35A
CALIBER FREQUENCY	21600 bph
CALIBER FEATURE	Hacking seconds hand
CALIBER WINDING	Bi-directional automatic + handwinding
CALIBER JEWELS	24
ACCURACY	-20/+40 s/day
POWER RESERVE	41h
ANTIMAGNETISM	Antimagnetic ≥ 4800 A/m
STRAP BASE	Black two-piece calf perforated leather strap, stainless steel brushed finish hardware signed UNIMATIC
EXTRA STRAP	Sand nylon nato strap, stainless steel brushed finish hardware signed UNIMATIC
PRODUCT KIT	Unimatic tough case, warranty card with unique ID seal