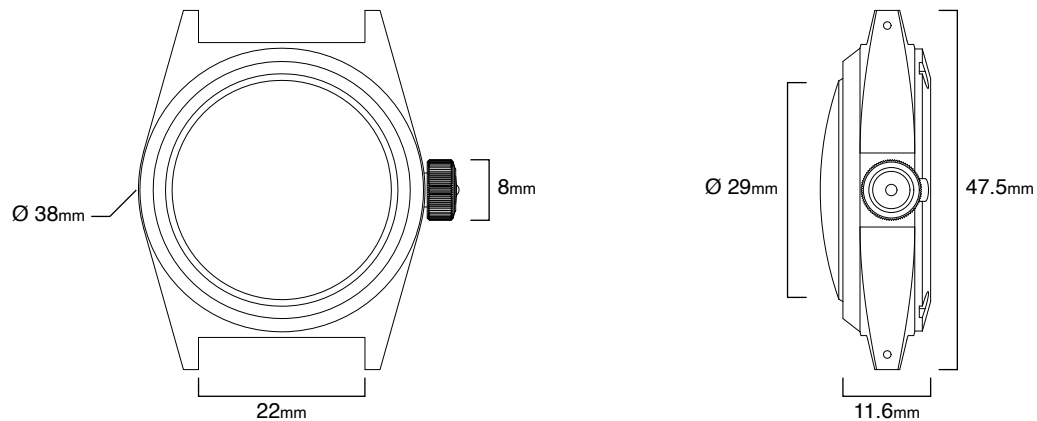


MODELLO DUE
Ref. U2S-T-L

Limited edition of 99 pieces
Swiss movement
Made in Italy
2 years warranty

UNIMATIC®



PRODUCT NAME	Modello Due U2S-T-L
TYPE	Slim Titanium field watch
WATER RESISTANCE	300m = 1000ft = 30atm WR
ORIGIN	Made in Italy
TESTING	Singularly tested for accuracy and water resistance
EDITION	Individually numbered, edition of 99
CASE SIZE	38 mm
LUGS / STRAP SIZE	Drilled lugs / 22mm
CASE MATERIAL	Titanium
CASE FINISHING	Sandblasted
BEZEL	No bezel
CASEBACK	Unimatic x Lorenzi screw-down caseback
CROWN	Alchemical Sun ☉ 8mm screw-down
LENS DESCRIPTION	2.7 mm thick ultra double domed sapphire
LENS TREATMENT	Inner side anti-reflective coating
DIAL BASE COLOR	Lorenzi green dial
LUMINOUS COLOR	Super-LumiNova® C1 white
DIAL FEATURES	Silver closed second rail and dial trims
DATE	No date
HANDS	Lorenzi green ladder phantom H+M, reverse lollipop S, silver second tip
CALIBER TYPE	Swiss made automatic calibre Sellita SW200-1
CALIBER FREQUENCY	28800bph
CALIBER FEATURE	Hacking seconds hand
CALIBER WINDING	Self-winding/ manual winding
CALIBER JEWELS	26
ACCURACY	+/- 12 sec/day up to +/-30 sec/day
POWER RESERVE	38h
STRAP BASE	Dark chocolate brown two-piece calf leather strap, titanium sandblasted hardware signed Unimatic
EXTRA STRAP	Lorenzi green TPU two-piece strap, titanium sandblasted hardware signed Unimatic
PRODUCT KIT	Unimatic tough case, warranty card with unique ID seal