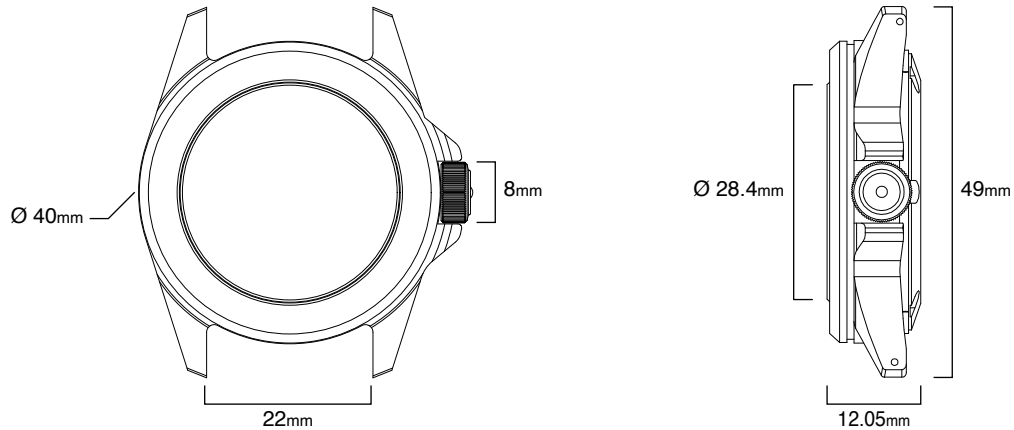


**MODELLO
QUATTRO**
Ref. UT4-AA

*Limited edition of 50 pieces
Quartz movement
Made in Italy
2 years warranty*

UNIMATIC®



REFERENCE	Modello Quattro UT4-AA
TYPE	Unimatic x Automobili Amos
ORIGIN	Made in Italy
TESTING	Singularly tested for accuracy and water resistance
EDITION	Individually numbered, edition of 50
WATER RESISTANCE	300m = 1000ft = 30atm
SIZE	Diameter 40mm
CASE THICKNESS	12.05mm
LUGS / STRAP SIZE	Drilled lugs / 22mm
CASE MATERIAL	316 stainless steel
CASE FINISHING	Sandblasted gunmetal coating
BEZEL	Fixed monoblock bezel
CASEBACK	Unimatic x Automobili Amos screw-down caseback
CROWN	Alchemical Sun ☉ 8mm screw-down
LENS DESCRIPTION	2.8mm thick flat sapphire
LENS TREATMENT	Inner side anti-reflective coating
DIAL BASE COLOR	Verde Brinzio diver dial, yellow Automobili Amos logo
LUMINOUS COLOR	Super-LumiNova® C3 pale green
DIAL TRIMS	Silver open second rail and dial trims
HANDS	Verde Brinzio ladder phantom H+M, reverse lollipop S, yellow Delta Futurista-shaped tip
CALIBER	Quartz Seiko VH31
CALIBER FEATURES	Sweeping second hand
CALIBER JEWELS	2
MOVEMENT HOLDER	360 protection MIL-STD-810H certified
BATTERY TYPE	Seizaiken SR920SW
BATTERY SIZE	Diameter 9.5 mm
ACCURACY	±15 s/month
POWER RESERVE	≈2y
ANTIMAGNETISM	Antimagnetic ≥ 1600 A/m
STRAP	Verde Brinzio TPU two piece strap
STRAP HARDWARE	Sandblasted gunmetal coated hardware signed UNIMATIC
PRODUCT KIT	Unimatic tough case, warranty card with unique ID seal