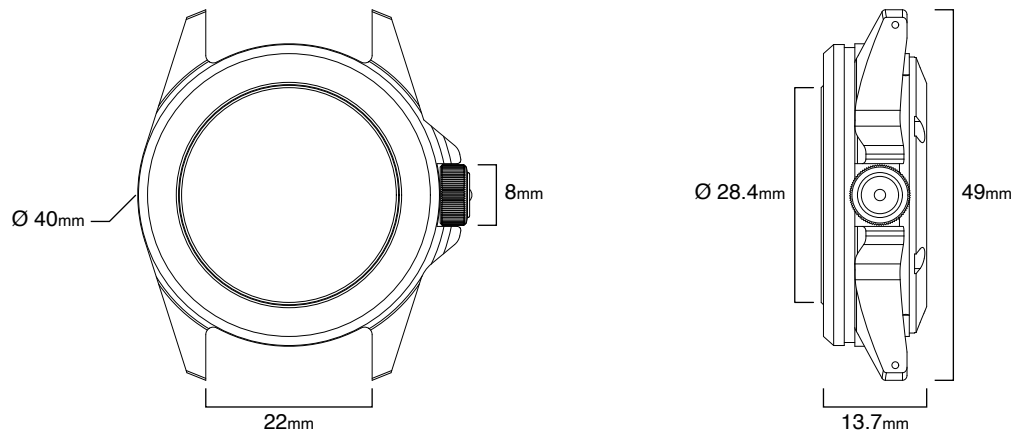


**MODELLO
QUATTRO**
Ref. U4-TA

*Limited edition of 200 pieces
Made in Italy
2 years warranty*

UNIMATIC®



REFERENCE	Modello Quattro U4-TA
TYPE	Unimatic x Truppe Alpine
ORIGIN	Made in Italy
TESTING	Singularly tested for accuracy and water resistance
EDITION	Individually numbered, edition of 200
WATER RESISTANCE	300m = 1000ft = 30atm
SIZE	Diameter 40mm
CASE THICKNESS	13.8mm
LUGS / STRAP SIZE	Drilled lugs / 22mm
CASE MATERIAL	316 stainless steel
CASE FINISHING	Sandblasted
BEZEL	Fixed monoblock bezel
CASEBACK	Unimatic x Esercito screw-down caseback
CROWN	Alchemical Sun ☉ 8mm screw-down
LENS DESCRIPTION	2.8mm thick flat sapphire
LENS TREATMENT	Inner side anti-reflective coating
DIAL BASE COLOR	Matte foliage green dial, white Truppe Alpine logo
LUMINOUS COLOR	Super-LumiNova® C3 pale green
DIAL TRIMS	White open second rail and dial trims
HANDS	Matte foliage green ladder phantom H+M, reverse lollipop S, Super-LumiNova® C3 tip
CALIBER	Automatic caliber Seiko NH35A 21600bph
CALIBER FEATURES	Hacking seconds, self-winding/ manual winding
CALIBER JEWELS	24
ACCURACY	-20/+40 s/day
POWER RESERVE	41h
ANTIMAGNETISM	Antimagnetic ≥ 4800 A/m
STRAP BASE	Foliage green TPU two piece strap
STRAP HARDWARE	Stainless steel sandblasted hardware signed UNIMATIC
PRODUCT KIT	Unimatic tough case, warranty card with unique ID seal