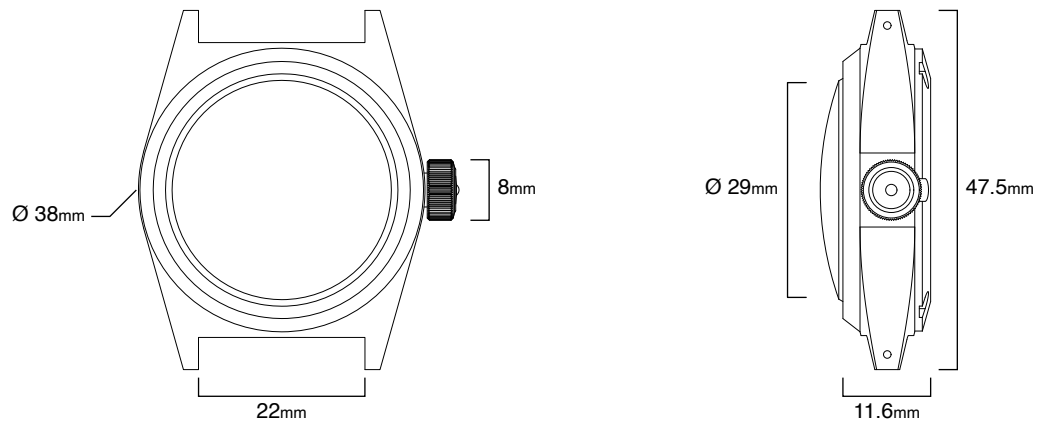


MODELLO DUE
Ref. U2S-M

Limited edition of 500 pieces
Swiss movement
Made in Italy
2 years warranty

UNIMATIC®
UNIQUE EDITION WATCHES



PRODUCT NAME	Modello Due U2S-M
TYPE	Slim Minimal Field watch
WATER RESISTANCE	300m = 1000ft = 30atm WR
ORIGIN	Made in Italy
TESTING	Singularly tested for accuracy and water resistance
EDITION	Individually numbered, edition of 500
CASE SIZE	38 mm
LUGS / STRAP SIZE	Drilled lugs / 22mm
CASE MATERIAL	316 stainless steel
CASE FINISHING	Brushed finish
BEZEL	No bezel
CASEBACK	Unimatic Angular Mil screw-down caseback
CROWN	Alchemical Sun ☉ 8mm screw-down
LENS DESCRIPTION	2.7 mm thick ultra double domed sapphire
LENS TREATMENT	Inner side anti-reflective coating
DIAL BASE COLOR	Matte black vacuum dial
LUMINOUS COLOR	Super-LumiNova® C1 white
DIAL FEATURES	Luminous logo, white graphics
DATE	No date
HANDS	Matte black ladder phantom H+M, reverse lollipop S, Super-LumiNova® C1 white tip
CALIBER TYPE FREQUENCY	Automatic calibre Sellita SW200-1
CALIBER FREQUENCY	28800bph
CALIBER FEATURE	Hacking seconds hand
CALIBER WINDING	Self-winding/ manual winding
CALIBER JEWELS	26
ACCURACY	+/- 12 sec/day up to +/-30 sec/day
POWER RESERVE	38h
ANTIMAGNETISM	Antimagnetic ≥ 4800 A/m
STRAP BASE	Black two-piece calf leather strap, stainless steel brushed hardware signed Unimatic
EXTRA STRAP	Black two-piece seatbelt strap, stainless steel brushed hardware signed Unimatic
PRODUCT KIT	Unimatic tough case, warranty card with unique ID seal