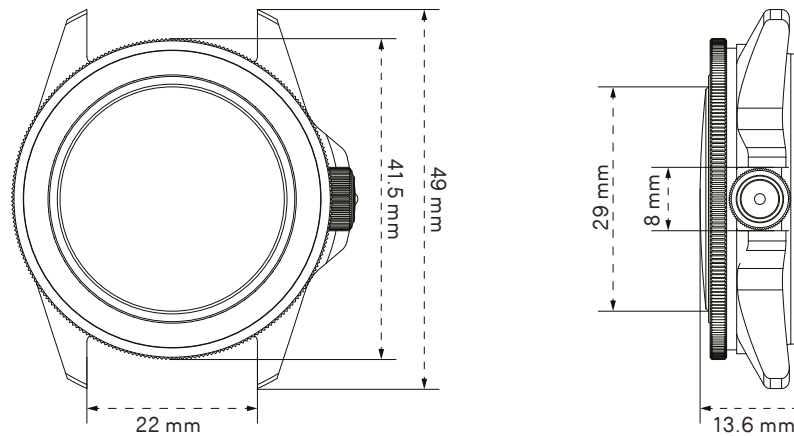


MODELLO UNO
Ref. U1-SW1

Limited edition of 88 pieces
Made in Italy
2 years warranty

UNIMATIC®
UNIQUE EDITION WATCHES



PRODUCT NAME	Modello Uno U1-SW1
TYPE	Unimatic x Sincere Watch
WATER RESISTANCE	300m = 1000ft = 30atm WR
ORIGIN	Made in Italy
TESTING	Singularly tested for accuracy and water resistance
EDITION	Individually numbered, edition of 88
CASE SIZE	Diameter 40mm case with 41.5mm bezel
LUGS / STRAP SIZE	22mm
CASE MATERIAL	316 stainless steel
CASE FINISHING	Brushed finish
BEZEL	120 clicks mono-directional safety bezel
BEZEL INSERT	Green aluminium minimal insert with raised lume dot
CASEBACK	Unimatic conversion scale screw-down caseback
CROWN	Alchemical Sun ☉ 8mm screw-down
LENS DESCRIPTION	2.5mm thick double domed sapphire
LENS TREATMENT	Inner side anti-reflective coating
DIAL BASE COLOR	Handmade sunburst soleil green dial
LUMINOUS COLOR	Hand-applied Super-LumiNova® Old radium
DIAL TRIMS	Cool gray open second rail and dial trims
DATE	No date
HANDS	Black ladder phantom H+M, matching reverse lollipop S, silver tip
CALIBER TYPE FREQUENCY	Automatic calibre Seiko NH35A
CALIBER FREQUENCY	21600 bph
CALIBER FEATURE	Hacking seconds hand
CALIBER WINDING	Bi-directional automatic + handwinding
CALIBER JEWELS	24
ACCURACY	-20/+40 s/day
POWER RESERVE	41h
ANTIMAGNETISM	Antimagnetic ≥ 4800 A/m
STRAP BASE	Black calf leather two piece strap with green trim, stainless steel brushed hardware
EXTRA STRAP	Black heavy-duty Unimatic nylon nato strap, stainless steel brushed hardware
PRODUCT KIT	Unimatic tough case, warranty card with unique ID seal