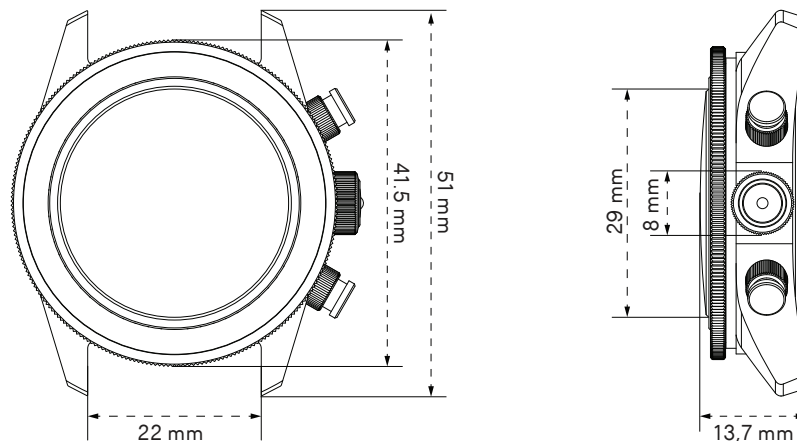


MODELLO TRE
Ref. U3-FFF

Limited edition of 200 pieces
Made in Italy
2 years warranty

UNIMATIC®
UNIQUE EDITION WATCHES



PRODUCT NAME	Unimatic Modello Tre U3-FFF
TYPE	Unimatic x Five Forty Five
WATER RESISTANCE	300m = 1000ft = 30atm WR
ORIGIN	Made in Italy
TESTING	Singularly tested for accuracy and water resistance
EDITION	Individually numbered, edition of 200
CASE SIZE	40mm
LUGS / STRAP SIZE	22mm
CASE MATERIAL	316 stainless steel
CASE FINISHING	Brushed finish
BEZEL	120 clicks mono-directional safety bezel
BEZEL INSERT	Night blue aluminium insert with raised lume dot
CASEBACK	Southern Hemisphere constellation caseback
CROWN	Alchemical Sun ☉ 8mm screw-down
LENS DESCRIPTION	2.5mm thick double domed sapphire
LENS TREATMENT	Inner side anti-reflective coating
DIAL BASE COLOR	Night blue, two sub-dial
LUMINOUS COLOR	Super-LumiNova® C1 white
DIAL TRIMS	Silver open second rail and red dial trims
DATE	No date
HANDS	Night blue ladder phantom H+M, reverse lollipop S, silver tip
CALIBER TYPE	Meca-quartz calibre Seiko VK64
CALIBER FREQUENCY	32,768 Hz
TYPE OF OSCILLATOR	Tuning fork
BATTERY TYPE	Silver oxide battery – 1.55 V
BATTERY SIZE	ψ9.5 x t 3.6 (mm)
ACCURACY	± 20 seconds per month
ANTIMAGNETISM	Antimagnetic ≥ 1600 A/m
STRAP BASE	Night blue Unimatic TPU two piece strap, stainless steel brushed hardware signed Unimatic
EXTRA STRAP	Night blue Unimatic calf leather two piece strap, stainless steel brushed hardware signed Unimatic
PRODUCT KIT	Unimatic tough case, warranty card with unique ID seal