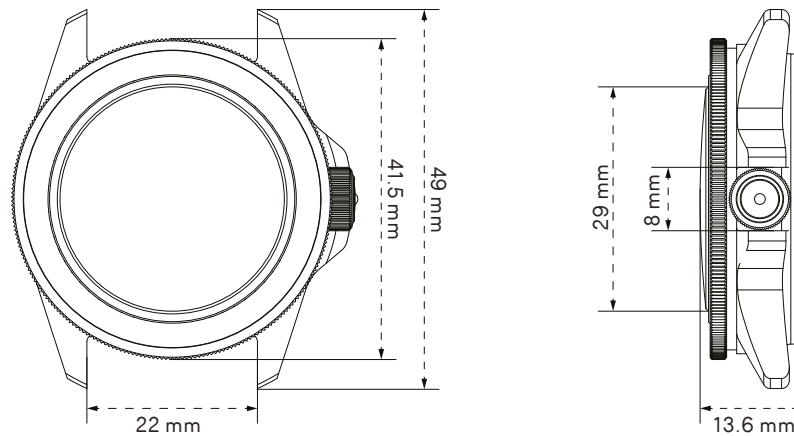


MODELLO UNO
Ref. U1-MLB

Limited edition of 200 pieces
Made in Italy
2 years warranty

UNIMATIC®
UNIQUE EDITION WATCHES



PRODUCT NAME	Modello Uno U1-MLB
TYPE	Unimatic x Massena Lab
WATER RESISTANCE	300m = 1000ft = 30atm WR
ORIGIN	Made in Italy
TESTING	Singularly tested for accuracy and water resistance
EDITION	Individually numbered, edition of 200
CASE SIZE	40mm
LUGS / STRAP SIZE	22mm
CASE MATERIAL	316 stainless steel
CASE FINISHING	Sand blasted
BEZEL	120 clicks mono-directional safety bezel
BEZEL INSERT	Matte black aluminium minimal insert with raised lume dot
CASEBACK	Unimatic x Massena Lab Submarine Sonar caseback
CROWN	Alchemical Sun ☉ 8mm screw-down
LENS DESCRIPTION	2.5mm thick double domed sapphire
LENS TREATMENT	Inner side anti-reflective coating
DIAL BASE COLOR	Matte black dial
LUMINOUS COLOR	Super-LumiNova® C3 pale green
DIAL TRIMS	White open second rail and cool gray dial trims
DATE	No date
HANDS	Black ladder phantom H, International Orange ladder phantom M, black reverse lollipop S, white tip
CALIBER TYPE FREQUENCY	Automatic calibre Seiko NH35A
CALIBER FREQUENCY	21600 bph
CALIBER FEATURE	Hacking seconds hand
CALIBER WINDING	Bi-directional automatic + handwinding
CALIBER JEWELS	24
ACCURACY	-20/+40 s/day
POWER RESERVE	41h
ANTIMAGNETISM	Antimagnetic ≥ 4800 A/m
STRAP BASE	International Orange TPU two piece strap, stainless steel sand blasted hardware signed UNIMATIC
EXTRA STRAP	Black TPU two piece strap, stainless steel sand blasted hardware signed UNIMATIC
PRODUCT KIT	Unimatic tough case, warranty card with unique ID seal