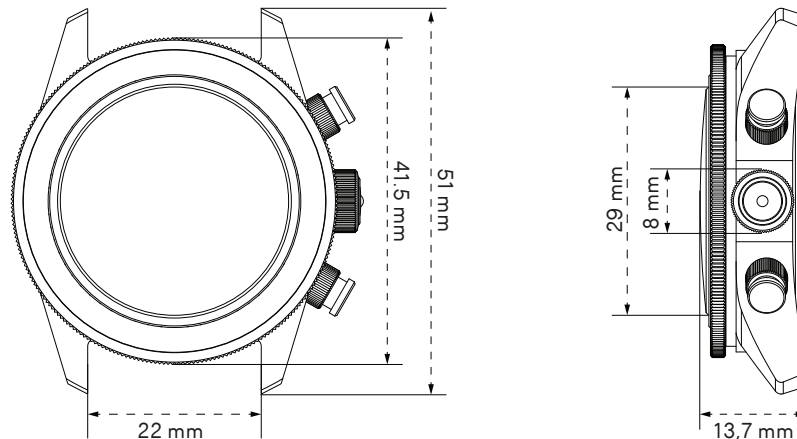


MODELLO TRE
Ref. U3-U

Limited edition of 100 pieces
Made in Italy
2 years warranty

UNIMATIC®
UNIQUE EDITION WATCHES



PRODUCT NAME	Unimatic Modello Tre U3-U
TYPE	Unimatic x Uncrate
WATER RESISTANCE	300m = 1000ft = 30atm WR
ORIGIN	Made in Italy
TESTING	Singularly tested for accuracy and water resistance
EDITION	Individually numbered, edition of 100
CASE SIZE	40mm
LUGS / STRAP SIZE	22mm
CASE MATERIAL	316 stainless steel
CASE FINISHING	Sandblasted gunmetal PVD finish
BEZEL	120 clicks mono-directional safety bezel
BEZEL INSERT	Matte black aluminium minimal insert with raised lume dot
CASEBACK	Unimatic x Uncrate screw-down caseback
CROWN	Alchemical Sun ☉ 8mm screw-down
LENS DESCRIPTION	2.5mm thick double domed sapphire
LENS TREATMENT	Inner side anti-reflective coating
DIAL BASE COLOR	Black matte, two sub-dial
LUMINOUS COLOR	Super-LumiNova® C1 white raised outline
DIAL TRIMS	White open second rail and dial trims
DATE	No date
HANDS	Matte black ladder phantom H+M, reverse lollipop S, white tip
CALIBER TYPE	Meca-quartz calibre Seiko VK64
CALIBER FREQUENCY	32,768 Hz
TYPE OF OSCILLATOR	Tuning fork
BATTERY TYPE	Silver oxide battery – 1.55 V
BATTERY SIZE	ψ9.5 x t 3.6 (mm)
ACCURACY	± 20 seconds per month
ANTIMAGNETISM	Antimagnetic ≥ 1600 A/m
STRAP BASE	Storm gray TPU two piece strap, sandblasted gunmetal PVD finish hardware
EXTRA STRAP	Black heavy-duty Unimatic nylon nato strap, sandblasted gunmetal PVD finish hardware
PRODUCT KIT	Unimatic tough case, warranty card with unique ID seal