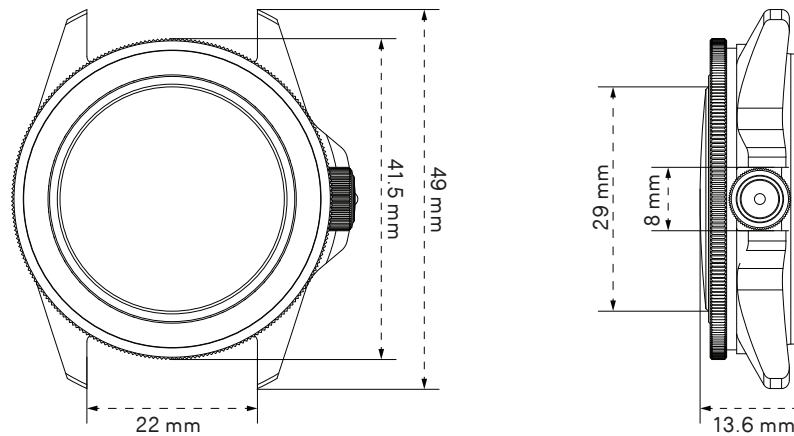


MODELLO UNO
Ref. U1-KSA

Limited edition of 99 pieces
Made in Italy
2 years warranty

UNIMATIC®
UNIQUE EDITION WATCHES



PRODUCT NAME	Modello Uno U1-KSA
TYPE	Professional Diver
WATER RESISTANCE	300m = 1000ft = 30atm WR
ORIGIN	Made in Italy
TESTING	Singularly tested for accuracy and water resistance
EDITION	Individually numbered, edition of 99
CASE SIZE	40mm
LUGS / STRAP SIZE	22mm
CASE MATERIAL	316 stainless steel
CASE FINISHING	DLC black brushed finish
BEZEL	120 clicks mono-directional safety bezel
BEZEL INSERT	Saudi Arabia green aluminium diver insert with raised lume dot
CASEBACK	Arabic calligraphy screw-down caseback
CROWN	Alchemical Sun ☉ 8mm screw-down
LENS DESCRIPTION	2.5mm thick double domed sapphire
LENS TREATMENT	Inner side anti-reflective coating
DIAL BASE COLOR	Saudi Arabia green Arabic dial
LUMINOUS COLOR	Super-LumiNova® C1 white
DIAL TRIMS	White dial trims
DATE	No date
HANDS	Saudi Arabia green ladder phantom H+M, reverse lollipop S, white tip
CALIBER TYPE FREQUENCY	Automatic calibre Seiko NH35A
CALIBER FREQUENCY	21600 bph
CALIBER FEATURE	Hacking seconds hand
CALIBER WINDING	Bi-directional automatic + handwinding
CALIBER JEWELS	24
ACCURACY	-20/+40 s/day
POWER RESERVE	41h
ANTIMAGNETISM	Antimagnetic ≥ 4800 A/m
STRAP BASE	Saudi Arabia green Unimatic nylon nato strap, DLC brushed hardware signed UNIMATIC
PRODUCT KIT	Unimatic tough case, warranty card with unique ID seal