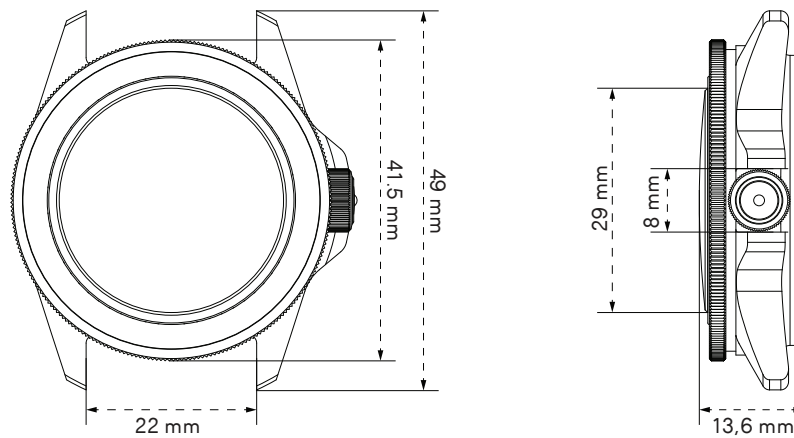


**UNO CLASSIC**  
Ref. UC1

*Made in Italy*  
*2 years warranty*

**UNIMATIC®**



REFERENCE	Unimatic Modello Uno Classic
TYPE	Unimatic Classic Diver watch
ORIGIN	Made in Italy
TESTING	Singularly tested for accuracy and water resistance
WATER RESISTANCE	300m = 1000ft = 30atm
SIZE	Diameter 40mm case with 41.5mm bezel
CASE THICKNESS	13.6mm
LUGS / STRAP SIZE	22mm
CASE MATERIAL	316 stainless steel
CASE FINISHING	Brushed finish
BEZEL	120 clicks mono-directional safety bezel
BEZEL INSERT	Black anodized aluminium
CASEBACK	Unimatic "Rosa dei venti" caseback
CROWN	Alchemical Sun ☉ 8mm screw-down
LENS DESCRIPTION	2.5 mm thick double domed sapphire
LENS TREATMENT	Inner side anti-reflective coating
DIAL BASE COLOR	Black matte dial
LUMINOUS COLOR	Super-LumiNova® C3 pale green
DIAL TRIMS	Off-white closed second rail and dial trims
HANDS	Black matte ladder phantom H+M, reverse lollipop S, off-white tip
CALIBER	Automatic caliber Seiko NH35A 21600bph
CALIBER FEATURES	Hacking seconds hand bi-directional automatic + handwinding
CALIBER JEWELS	24
ACCURACY	-20/+40 s/day
POWER RESERVE	41h
ANTIMAGNETISM	Antimagnetic $\geq 4800$ A/m
STRAP BASE	Black heavy duty Unimatic nylon nato strap
STRAP HARDWARE	Stainless steel brushed hardware signed UNIMATIC
PRODUCT KIT	Unimatic tough case, warranty card with unique ID seal