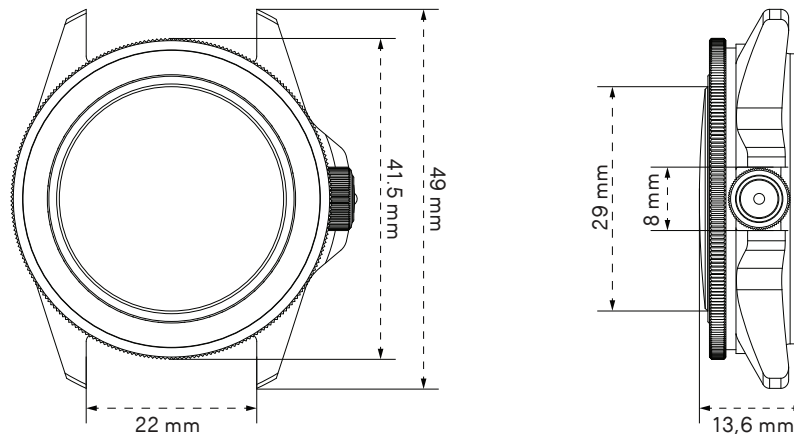


MODELLO UNO
Ref. U1-NR

Limited edition of 54 pieces
Made in Italy
2 years warranty

UNIMATIC
X
Norwegian Rain



PRODUCT NAME	UNIMATIC Modello Uno U1-NR
TYPE	Unimatic x Norwegian Rain
WATER RESISTANCE	300m = 1000ft = 30atm WR
ORIGIN	Made in Italy
TESTING	Singularly tested for accuracy and water resistance
EDITION	Individually numbered, edition of 54
CASE SIZE	40mm
LUGS / STRAP SIZE	22mm
CASE MATERIAL	316 stainless steel
CASE FINISHING	DLC black brushed finish
BEZEL	120 clicks mono-directional safety bezel
BEZEL INSERT	Black aluminium minimal insert with raised lume dot
CASEBACK	Unimatic x Norwegian Rain 10 years anniversary caseback
CROWN	Alchemical Sun ☉ 8mm screw-down
LENS DESCRIPTION	2.5mm thick double domed sapphire
LENS TREATMENT	Inner side anti-reflective coating
DIAL BASE COLOR	Individually oxidised two layer solid copper dial
LUMINOUS COLOR	-
DIAL TRIMS	Cutout brushed copper trims with X marker
DATE	No date
HANDS	Skeleton brushed copper ladder phantom H+M, reverse lollipop S with gloss tip
CALIBER TYPE FREQUENCY	Automatic calibre Seiko NH35A
CALIBER FREQUENCY	21600 bph
CALIBER FEATURE	Hacking seconds hand
CALIBER WINDING	Bi-directional automatic + handwinding
CALIBER JEWELS	24
ACCURACY	-20/+40 s/day
POWER RESERVE	41h
ANTIMAGNETISM	Antimagnetic ≥ 4800 A/m
STRAP BASE	Black heavy-duty Unimatic nylon nato strap, black DLC brushed hardware signed UNIMATIC
PRODUCT KIT	Unimatic tough case, warranty card with unique ID seal