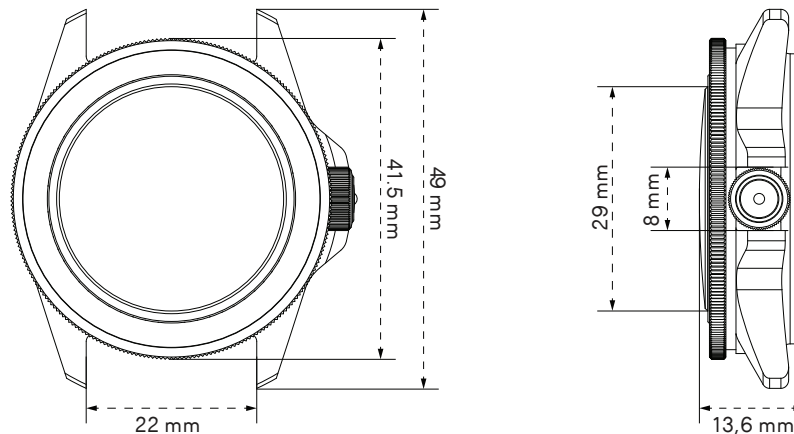


**MODELLO UNO**  
Ref. U1-ML6

*Limited edition of 99 pieces*  
*Made in Italy*  
*2 years warranty*

**UNIMATIC** × 



PRODUCT NAME	Unimatic Modello Uno U1-ML6
TYPE	Unimatic X Massena Lab
WATER RESISTANCE	300m = 1000ft = 30atm WR
ORIGIN	Made in Italy
TESTING	Singularly tested for accuracy and water resistance
EDITION	Individually numbered, edition of 99
CASE SIZE	40mm
LUGS / STRAP SIZE	22mm
CASE MATERIAL	316 stainless steel
CASE FINISHING	Brushed finish
BEZEL	120 clicks mono-directional safety bezel
BEZEL INSERT MATERIAL	Black aluminium "15 minute" diver insert with red triangle and raised lume dot
CASEBACK	Unimatic x Massena Lab Poseidon
CROWN	Alchemical Sun ☉ 8mm screw-down
LENS DESCRIPTION	2.5mm thick double domed sapphire
LENS TREATMENT	Inner side anti-reflective coating
DIAL BASE COLOR	Galvanized tropical brown
LUMINOUS COLOR	Hand-applied Super-LumiNova® Old radium
DIAL TRIMS	Galvanic negative etched true gilt closed second rail and dial trims
DATE	No date
HANDS	Black ladder phantom H+M, reverse lollipop S, gold tip
CALIBER TYPE FREQUENCY	Automatic calibre Seiko NH35A
CALIBER FREQUENCY	21600 bph
CALIBER FEATURE	Hacking seconds hand
CALIBER WINDING	Bi-directional winding
CALIBER JEWELS	24
ACCURACY	-20/+40 s/day
POWER RESERVE	41h
ANTIMAGNETISM	Antimagnetic ≥ 4800 A/m
STRAP BASE	Mahogany Horween Cordovan Shell two piece strap, stainless steel brushed hardware signed Unimatic
STRAP EXTRA	Black heavy-duty Unimatic nylon nato strap, stainless steel brushed hardware signed Unimatic
PRODUCT KIT	Unimatic tough case, warranty card with unique ID seal