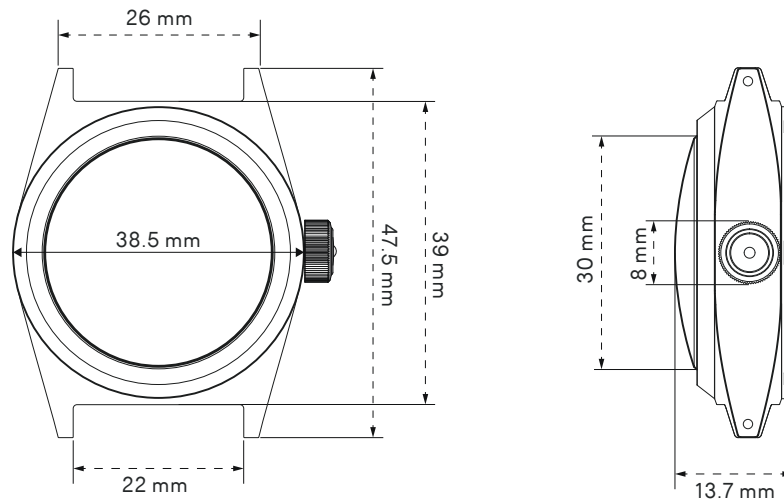


MODELLO DUE
Ref. U2-NC

*Limited edition of 150 pieces
Made in Italy
2 years warranty*

UNIMATIC®
UNIQUE EDITION WATCHES
X
Nigel Cabourn



| | |
|-------------------|------------------------------------------------------------------------------------------|
| REFERENCE | U2-NC |
| TYPE | Unimatic X Nigel Cabourn |
| EDITION | Individually numbered, edition of 150 |
| ORIGIN | Made in Italy |
| TESTING | Singularly tested for accuracy and water resistance |
| WATER RESISTANCE | 300m = 1000ft = 30atm |
| SIZE | Diameter 38.5mm |
| CASE THICKNESS | 13mm |
| LUGS / STRAP SIZE | 22mm |
| CASE MATERIAL | 316 stainless steel |
| CASE FINISHING | Stonewashed Cerakote™ Olive Drab Green coating |
| BEZEL | Fixed monoblock bezel |
| CASEBACK | Unimatic X Nigel Cabourn Antarctica expedition |
| CROWN | Alchemical Sun ☉ 8mm screw-down |
| LENS DESCRIPTION | 2.7mm thick ultra double domed sapphire |
| LENS TREATMENT | Inner side anti-reflective coating |
| DIAL BASE COLOR | Navy blue matte highly readable dial |
| LUMINOUS COLOR | Super-LumiNova® Cream Old Radium |
| DIAL TRIMS | Gold open second rail and dial trims |
| HANDS | Navy blue ladder phantom H+M, reverse lollipop S, gold tip |
| CALIBER | Automatic calibre Seiko NH35A 21600bph |
| CALIBER FEATURES | Hacking seconds hand bi-directional automatic + handwinding |
| CALIBER JEWELS | 24 |
| ACCURACY | -20/+40 s/day |
| POWER RESERVE | 41h |
| ANTIMAGNETISM | Antimagnetic ≥ 4800 A/m |
| STRAP BASE | Vintage Orange two-piece x stitched strap |
| STRAP EXTRA | Navy blue two piece x stitched strap |
| STRAP HARDWARE | Stonewashed Cerakote™ Olive Drab Green buckle signed Unimatic |
| PRODUCT KIT | Unimatic box and outer-box, instruction manual, warranty card with unique ID seal, cloth |